

VE102 Series

Piezo Velocity Sensor, Side Exit Connector / Cable, 100 mV/in/sec



Actual Product Size Shown

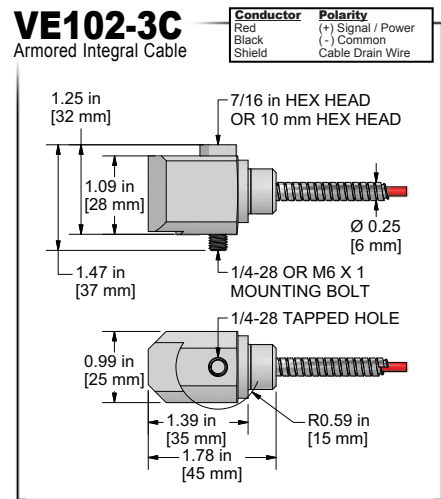
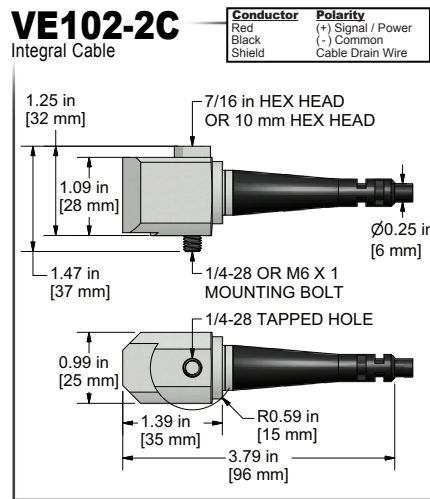
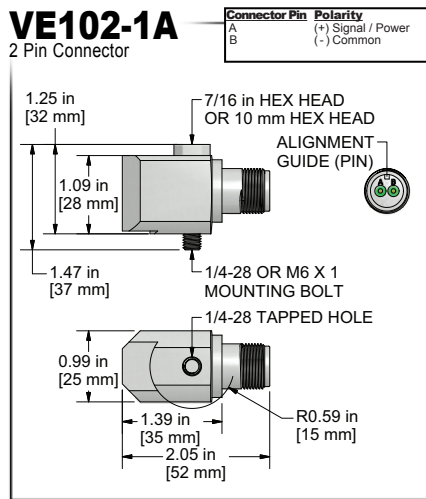


Product Features

100 mV/in/sec, (4 mV/mm/sec) Sensitivity

1,5 - 7000 Hz (90 - 420,000 CPM) Frequency Response

- ± 50 in/sec, Peak Dynamic Range
- 2 Pin MIL Connection
- Integrates to Velocity in the Sensor



Specifications	Standard	Metric
Part Number	VE102	M/VE102
Sensitivity ($\pm 10\%$)	100mV/in/sec	4mV/mm/sec
Frequency Response ($\pm 3dB$)	90-420,000 CPM	1,5-7000 Hz
Frequency Response ($\pm 10\%$)	120-240,000 CPM	2,0-4000 Hz
Dynamic Range (Peak)	± 50 in/sec	± 1270 mm/sec
Electrical		
Settling Time	<4 seconds	
Voltage Source	18-30 VDC	
Constant Current Excitation	2-10 mA	
Spectral Noise @ 10 Hz	53 μ IPS/ \sqrt{Hz}	
Spectral Noise @ 100 Hz	2 μ IPS/ \sqrt{Hz}	
Spectral Noise @ 1000 Hz	0.7 μ IPS/ \sqrt{Hz}	
Output Impedance	<100 ohm	
Bias Output Voltage	10-14 VDC	
Case Isolation	> 10^8 ohm	

Specifications	Standard	Metric
Environmental		
Temperature Range	-58 to 250° F	-50 to 121°C
Maximum Shock Protection	5,000 g, peak	
Electromagnetic Sensitivity	CE	
Sealing	Welded, Hermetic	
Submersible Depth (VE102-2C)	500 ft.	152 m
Physical		
Sensing Element	PZT Ceramic	
Sensing Structure	Shear Mode	
Weight	5.1 oz	145 grams
Case Material	316L Stainless Steel	
Mounting	1/4-28	
Connector (non-integral)	2 Pin MIL-C-5015	
Resonant Frequency	1,260,000 CPM	21000 Hz
Mounting Torque	2 to 5 ft. lbs.	2,7 to 6,8 Nm
Mounting Hardware	1/4-28 Captive Bolt	M6x1 Captive Bolt
Calibration Certificate	CA10	

Ordering Information

Standard	VE102-1A (1/4-28 Captive Bolt)	VE102-2C - / [] - [] (1/4-28 Captive Bolt) (length in feet) (termination)	VE102-3C - / [] - [] - [] - [] (1/4-28 Captive Bolt) (armor length in feet) (cable length in feet) (termination)
Metric	M/VE102-1A (M6x1 Captive Bolt)	M/VE102-2C - / [] - [] (M6x1 Captive Bolt) (length in feet) (termination)	M/VE102-3C - / [] - [] - [] - [] (M6x1 Captive Bolt) (armor length in feet) (cable length in feet) (termination)
		[] M - [] (length in meters) (termination)	[] M - [] (armor length in meters) (cable length in meters) (termination)

Cable Termination Options: E F Z



VIBRATION ANALYSIS HARDWARE

Backed by our Unconditional Lifetime Warranty



VIBRATION ANALYSIS HARDWARE

- LEFT CLICK & DRAG TO ROTATE MODEL
- RIGHT CLICK & DRAG TO ZOOM
- HOLD BOTH MOUSE BUTTONS TO PAN



3D DATA SHEET

2 Pin Connector

Integral Cable

Armored Integral Cable



ADOBE® READER® 9.3 RECOMMENDED (Adobe® Reader® 8 Required)

CLICK TO DOWNLOAD!

CLICK HERE FOR HELP

BACK TO MAIN DATA SHEET

