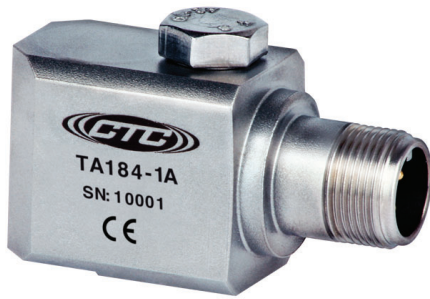


# TA184 Series

Dual Output Temperature / Acceleration, Side Exit Connector / Cable, 100 mV/g, 10 mV/°C



Actual Product Size Shown



Requires **Multi-Conductor Cable**

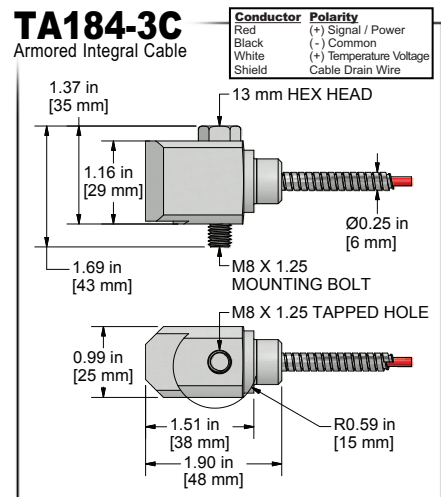
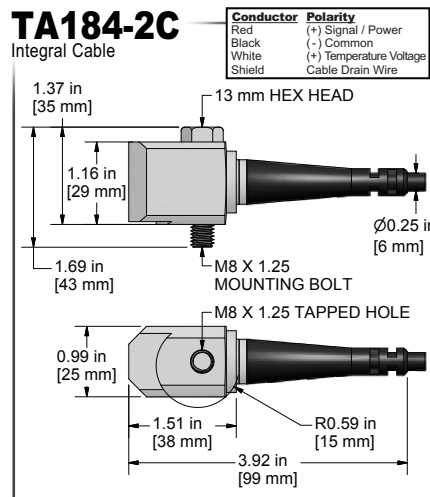
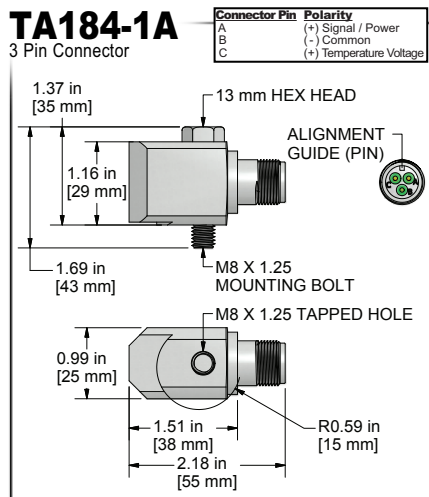
## Product Features

### Temperature/Vibration Sensors

10 mV/°C

- Standard 3 Pin MIL Connection
- High Performance in a Low Cost Sensor
- Requires Multi-Conductor Cable and Dual IEPE Power

### M8 Captive Bolt



Specifications	Standard	Metric
Part Number	TA172	M/TA172
Sensitivity (±10%)		100 mV/g
Frequency Response (±3dB)	30-900,000 CPM	0.5-15000 Hz
Frequency Response (±10%)	120-600,000 CPM	2.0-10000 Hz
Dynamic Range		± 50 g, peak
Temperature Measurement Range	40° to 212° F	40° to 100° C
<b>Electrical</b>		
Settling Time		<2.5 seconds
Voltage Source		18-30 VDC
Constant Current Excitation		2-10 mA
Spectral Noise @ 10 Hz		8 µg/√Hz
Spectral Noise @ 100 Hz		.62 µg/√Hz
Spectral Noise @ 1000 Hz		.3 µg/√Hz
Output Impedance		<100 ohm
Bias Output Voltage		10-14 VDC
Case Isolation		>10 <sup>8</sup> ohm

Specifications	Standard	Metric
<b>Environmental</b>		
Temperature Range	-40 to 250°F	-40 to 121°C
Maximum Shock Protection		5,000 g, peak
Sealing		Welded, Hermetic
Submersible Depth (TA172-2C)	500 ft.	152 m
<b>Physical</b>		
Sensing Element		PZT Ceramic
Sensing Structure		Shear Mode
Weight	3.2 oz	90 grams
Case Material		316L Stainless Steel
Mounting		1/4-28
Connector (non-integral)		3 Pin MIL-C-5015
Resonant Frequency	1,380,000 CPM	23000 Hz
Mounting Torque	2 to 5 ft. lbs.	2.7 to 6.8 Nm
Mounting Hardware	1/4-28 Stud	1/4-28 Stud
Calibration Certificate		CA10

## Ordering Information

Metric	TA184-1A	TA184-2C	TA184-3C
(M8 Captive Bolt)	TA184-1A	TA184-2C - / [ ] - [ ] (length in feet) (termination)	TA184-3C - / [ ] - [ ] - [ ] (armor length in feet) (cable length in feet) (termination)
(M8 Captive Bolt)	TA184-1A	TA184-2C - / [ ] M - [ ] (length in meters) (termination)	TA184-3C - / [ ] M - [ ] M - [ ] (armor length in meters) (cable length in meters) (termination)

Cable Termination Options: **L** **Z**

