

TA178 Series

Dual Output Temperature / Acceleration, M8 Captive Bolt, Side Exit Connector / Cable, 100 mV/g, 10 mV/°K

Compatible with **commfest** vbOnline™ and other standard systems

Product Features

VB Series Compatible Dual Output Temperature/Vibration Sensors

10 mV/°K

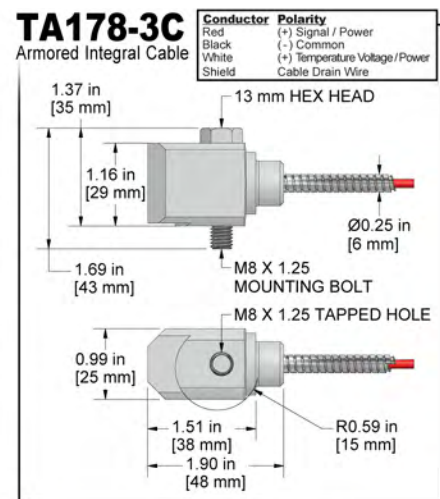
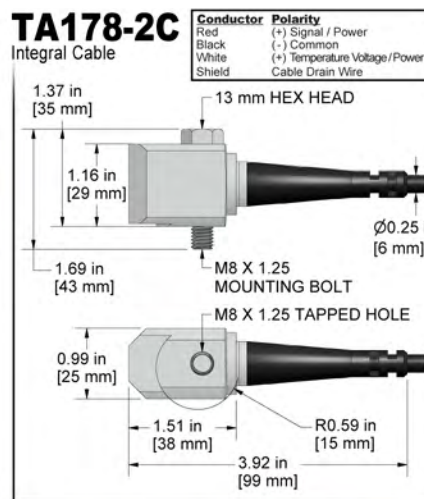
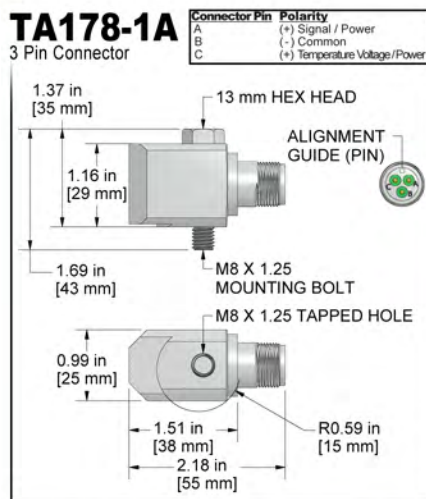


M8 Captive Bolt

Actual Product Size Shown

Requires Multi-Conductor Cable

- Standard 3 Pin MIL Connection
- Side Exit with M8 Captive Bolt
- Requires Multi-Conductor Cable and Dual IEPE Power



Specifications	Standard	Metric
Part Number	TA178	M/TA178
Sensitivity (±10%)		100 mV/g
Frequency Response (±3dB)	30-600,000 CPM	0,5-10000 Hz
Frequency Response (±10%)	120-300,000 CPM	2,0-5000 Hz
Dynamic Range		± 50 g, peak
Temperature Measurement Range	40° to 212° F	40° to 100° C
Temperature Output		10 mV/°K
Electrical		
Settling Time		<2.5 seconds
Voltage Source		18-30 VDC
Constant Current Excitation		2-10 mA
Spectral Noise @ 10 Hz		14 µg/√Hz
Spectral Noise @ 100 Hz		2.3 µg/√Hz
Spectral Noise @ 1000 Hz		2 µg/√Hz
Output Impedance		<100 ohm
Bias Output Voltage		10-14 VDC
Case Isolation		>10 ⁹ ohm

Specifications	Standard	Metric
Environmental		
Temperature Range	-40 to 250°F	-40 to 121°C
Maximum Shock Protection		5,000 g, peak
Sealing		Welded, Hermetic
Submersible Depth (TA178-2C)	500 ft.	152 m
Physical		
Sensing Element		PZT Ceramic
Sensing Structure		Shear Mode
Weight	6.3 oz	180 grams
Case Material		316L Stainless Steel
Mounting		M8
Connector (non-integral)		3 Pin MIL-C-5015
Resonant Frequency	1,200,000 CPM	20000 Hz
Mounting Torque	2 to 5 ft. lbs.	2,7 to 6,8 Nm
Mounting Hardware	M8 Captive Bolt	M8 Captive Bolt
Calibration Certificate		CA10

Ordering Information

Metric	TA178-1A (M8 Captive Bolt)	TA178-2C - / [] [] [] - [] (M8 Captive Bolt) (length in feet) (termination)	TA178-3C - / [] [] [] - [] (M8 Captive Bolt) (length in feet) (termination)
		TA178-2C - / [] [] [] M - [] (M8 Captive Bolt) (length in meters) (termination)	TA178-3C - / [] [] [] M - [] (M8 Captive Bolt) (length in meters) (termination)

Cable Termination Options: L **Z**

Backed by our Unconditional Lifetime Warranty

www.ctonline.com



SECTION 1 - ACCELEROMETERS
TA178 Series