

# TA174 Series

Dual Output, Temperature / Acceleration, Side Exit Connector / Cable, 100 mV/g, 10 mV/°K

Compatible with **commfest** vbOnline™ and other standard systems

SECTION 1 ACCELEROMETERS TA174 Series



## Product Features

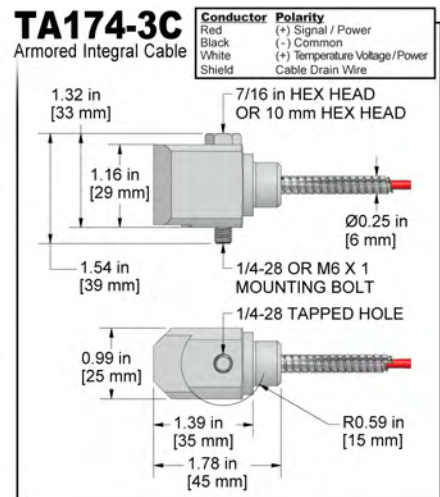
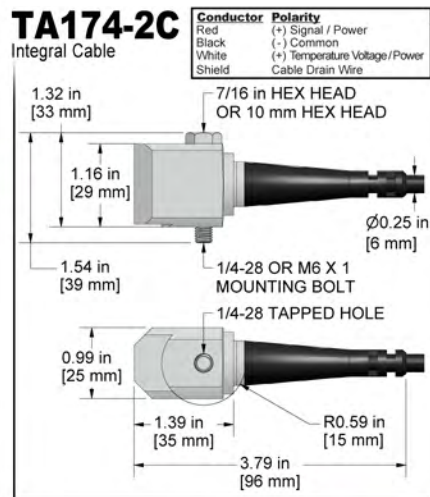
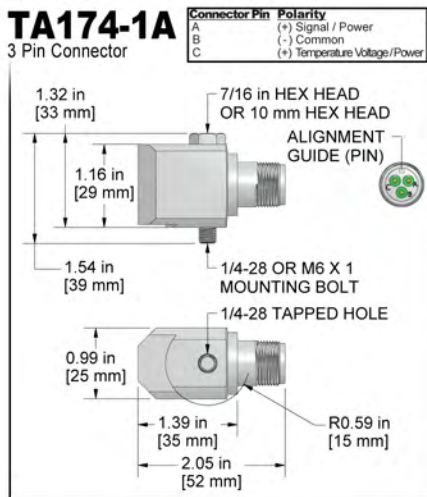
**VB Series Compatible Dual Output Temperature/Vibration Sensors**

10 mV/°K

- Standard 3 Pin MIL Connection
- High Performance in a Low Cost Sensor
- Requires Multi-Conductor Cable and Dual IEPE Power

Actual Product Size Shown

Requires **Multi-Conductor Cable**



Specifications	Standard	Metric
Part Number	TA174	M/TA174
Sensitivity (±10%)		100 mV/g
Frequency Response (±3dB)	30-600,000 CPM	0,5-10000 Hz
Frequency Response (±10%)	120-300,000 CPM	2,0-5000 Hz
Dynamic Range		± 50 g, peak
Temperature Measurement Range	40° to 212° F	40° to 100° C
Temperature Output		10 mV/°K
<b>Electrical</b>		
Settling Time		<2.5 seconds
Voltage Source		18-30 VDC
Constant Current Excitation		2-10 mA
Spectral Noise @ 10 Hz		14 µg/√Hz
Spectral Noise @ 100 Hz		2.3 µg/√Hz
Spectral Noise @ 1000 Hz		2 µg/√Hz
Output Impedance		<100 ohm
Bias Output Voltage		10-14 VDC
Case Isolation		>10 <sup>9</sup> ohm

Specifications	Standard	Metric
<b>Environmental</b>		
Temperature Range	-40 to 250°F	-40 to 121°C
Maximum Shock Protection		5,000 g, peak
Electromagnetic Sensitivity		n/a
Sealing		Welded, Hermetic
Submersible Depth (TA174-2C)	500 ft.	152 m
<b>Physical</b>		
Sensing Element		PZT Ceramic
Sensing Structure		Shear Mode
Weight	5.6 oz	160 grams
Case Material		316L Stainless Steel
Mounting		1/4-28
Connector (non-integral)		3 Pin MIL-C-5015
Resonant Frequency	1,320,000 CPM	22000 Hz
Mounting Torque	2 to 5 ft. lbs.	2,7 to 6,8 Nm
Mounting Hardware	1/4-28 Captive Bolt	M6x1 Captive Bolt
Calibration Certificate		CA10

## Ordering Information

Standard	TA174-1A (1/4-28 Captive Bolt)	TA174-2C - / [ ] - [ ] (1/4-28 Captive Bolt) (length in feet) (termination)	TA174-3C - / [ ] - [ ] (1/4-28 Captive Bolt) (length in feet) (termination)
Metric	M/TA174-1A (M6x1 Captive Bolt)	M/TA174-2C - / [ ] - [ ] (M6x1 Captive Bolt) (length in feet) (termination)	M/TA174-3C - / [ ] - [ ] (M6x1 Captive Bolt) (length in feet) (termination)
		[ ] M - [ ] (length in meters) (termination)	[ ] M - [ ] (length in meters) (termination)

Cable Termination Options: **L** **Z**

