

TA172 Series

Dual Output Temperature / Acceleration, Top Exit Connector / Cable,
100 mV/g, 10 mV/°K

SECTION 1 - ACCELEROMETERS
TA172 Series



Actual Product Size Shown

Compatible with **commtest** vbOnline™ and other standard systems

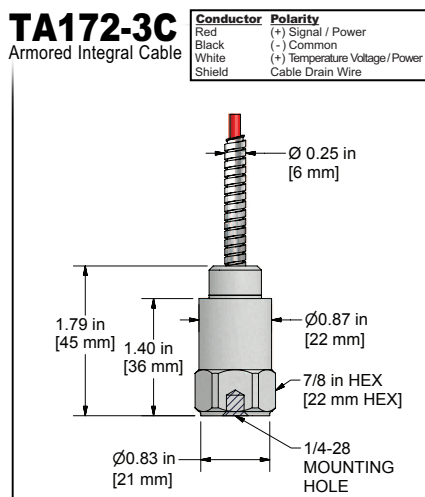
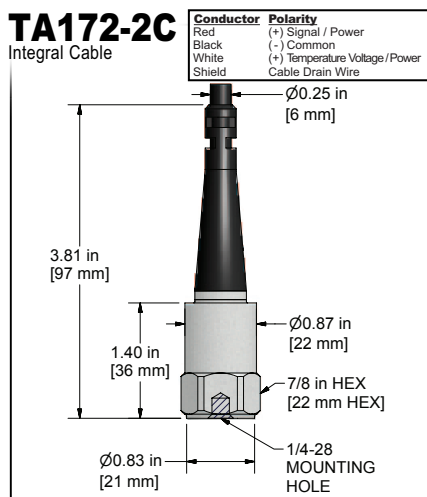
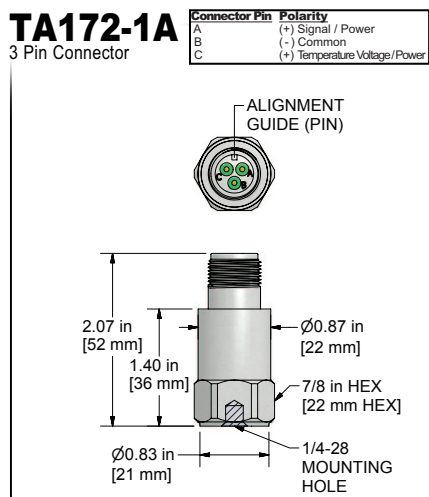
Requires **Multi-Conductor Cable**

Product Features

VB Series Compatible Dual Output Temperature/Vibration Sensors

10 mV/°K

- Standard 3 Pin MIL Connection
- High Performance in a Low Cost Sensor
- Requires Multi-Conductor Cable and Dual IEPE Power



Specifications	Standard	Metric
Part Number	TA172	M/TA172
Sensitivity (±10%)		100 mV/g
Frequency Response (±3dB)	30-900,000 CPM	0,5-15000 Hz
Frequency Response (±10%)	120-600,000 CPM	2,0-10000 Hz
Dynamic Range		± 50 g, peak
Temperature Measurement Range	-40° to 212° F	-40° to 100° C
Temperature Output		10 mV/°K
Electrical		
Settling Time		<2.5 seconds
Voltage Source		18-30 VDC
Constant Current Excitation		2-10 mA
Spectral Noise @ 10 Hz		14 µg/√Hz
Spectral Noise @ 100 Hz		2.3 µg/√Hz
Spectral Noise @ 1000 Hz		2 µg/√Hz
Output Impedance		<100 ohm
Bias Output Voltage		10-14 VDC
Case Isolation		>10 ⁹ ohm

Specifications	Standard	Metric
Environmental		
Temperature Range	-40 to 250°F	-40 to 121°C
Maximum Shock Protection		5,000 g, peak
Sealing		Welded, Hermetic
Submersible Depth (TA172-2C)	500 ft.	152 m
Physical		
Sensing Element		PZT Ceramic
Sensing Structure		Shear Mode
Weight	3.2 oz	90 grams
Case Material		316L Stainless Steel
Mounting		1/4-28
Connector (non-integral)		3 Pin MIL-C-5015
Resonant Frequency	1,380,000 CPM	23000 Hz
Mounting Torque	2 to 5 ft. lbs.	2,7 to 6,8 Nm
Mounting Hardware	1/4-28 Stud	1/4-28 Stud
Calibration Certificate		CA10

Ordering Information

Standard	TA172-1A (1/4-28 Stud)	TA172-2C (1/4-28 Stud)	- / [] - [] (length in feet) (termination)	TA172-3C (1/4-28 Stud)	- / [] - [] - [] - [] (armor length in feet) (cable length in feet) (termination)
Metric	M/TA172-1A (M6x1 Adapter Stud)	M/TA172-2C (M6x1 Adapter Stud)	- / [] - [] (length in feet) (termination)	M/TA172-3C (M6x1 Adapter Stud)	- / [] - [] - [] - [] (armor length in feet) (cable length in feet) (termination)
			[] M - [] (length in meters) (termination)		[] M - [] (armor length in meters) (cable length in meters) (termination)

Cable Termination Options: L Z

Backed by our Unconditional Lifetime Warranty

www.ctconline.com





VIBRATION ANALYSIS HARDWARE

- LEFT CLICK & DRAG TO ROTATE MODEL
- RIGHT CLICK & DRAG TO ZOOM
- HOLD BOTH MOUSE BUTTONS TO PAN



3D DATA SHEET

3 Pin Connector

Integral Cable

Armored Integral Cable



ADOBE® READER® 9.3 RECOMMENDED (Adobe® Reader® 8 Required)

CLICK TO DOWNLOAD!

CLICK HERE FOR HELP

BACK TO MAIN DATA SHEET

