

# TA135 Series

Dual Output, Temperature / Acceleration, Top Exit Connector / Cable, 500 mV/g, 10 mV/°C



Actual Product Size Shown

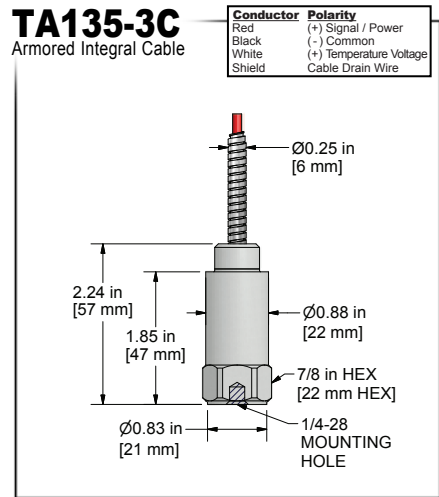
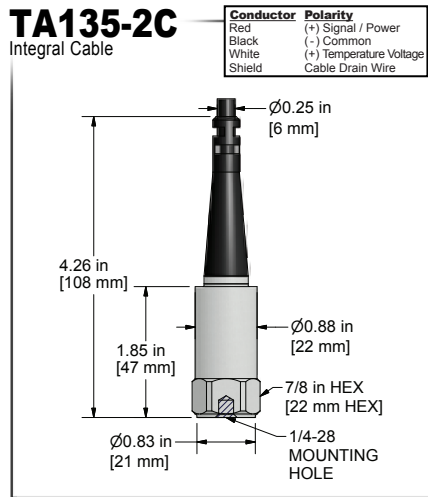
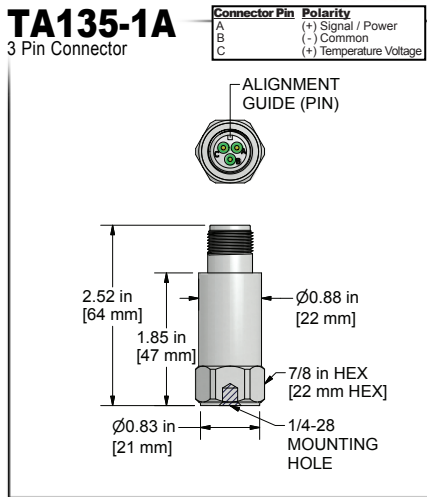


Requires **Multi-Conductor Cable**

## Product Features

**Temperature Output 10 mV/°C, Acceleration Output 500 mV/g**  
3 Pin Top Connector

- ±10g Peak Dynamic Range
- 0,2 - 3000 Hz (12 - 180000 CPM) Frequency Response
- -40 - 250°F (-40 - 121°C) Temperature Range



Specifications	Standard	Metric
Part Number	TA135	M/TA135
Sensitivity (±10%)	500 mV/g	
Frequency Response (±3dB)	12-180,000 CPM	0,2-3000 Hz
Frequency Response (±10%)	36-90,000 CPM	0,6-1500 Hz
Dynamic Range	± 10 g, peak	
Temperature Measurement Range	37° to 250° F	3° to 121° C
Temperature Output	10 mV/°K	
<b>Electrical</b>		
Settling Time	5 Seconds	
Voltage Source	18-30 VDC	
Constant Current Excitation	2-10 mA	
Spectral Noise @ 10 Hz	1.7 µg/√Hz	
Spectral Noise @ 100 Hz	0.2 µg/√Hz	
Spectral Noise @ 1000 Hz	0.12 µg/√Hz	
Output Impedance	<100 ohm	
Bias Output Voltage	10-14 VDC	
Case Isolation	>10 <sup>8</sup> ohm	

Specifications	Standard	Metric
<b>Environmental</b>		
Temperature Range	-40 to 250°F	-40 to 121°C
Electromagnetic Sensitivity	CE	
Sealing	Welded, Hermetic	
Submersible Depth (TA135-2C)	500 ft.	152 m
<b>Physical</b>		
Sensing Element	PZT Ceramic	
Sensing Structure	Shear Mode	
Weight	3.5 oz	100 grams
Case Material	316L Stainless Steel	
Mounting	1/4-28	
Connector (non-integral)	3 Pin MIL-C-5015	
Resonant Frequency	960,000 CPM	16000 Hz
Mounting Torque	2 to 5 ft. lbs.	2,7 to 6,8 Nm
Mounting Hardware	1/4-28 Stud	M6x1 Adapter Stud
Calibration Certificate	CA10	

## Ordering Information

Standard	TA135-1A (1/4-28 Stud)	TA135-2C (1/4-28 Stud)	- / [ ] - [ ] (length in feet) (termination)	TA135-3C (1/4-28 Stud)	- / [ ] - [ ] - [ ] - [ ] (armor length in feet) (cable length in feet) (termination)
Metric	M/TA135-1A (M6x1 Adapter Stud)	M/TA135-2C (M6x1 Adapter Stud)	- / [ ] - [ ] (length in feet) (termination) [ ] [ ] M - [ ] (length in meters) (termination)	M/TA135-3C (M6x1 Adapter Stud)	- / [ ] - [ ] - [ ] - [ ] (armor length in feet) (cable length in feet) (termination) [ ] [ ] M - [ ] [ ] M - [ ] (armor length in meters) (cable length in meters) (termination)

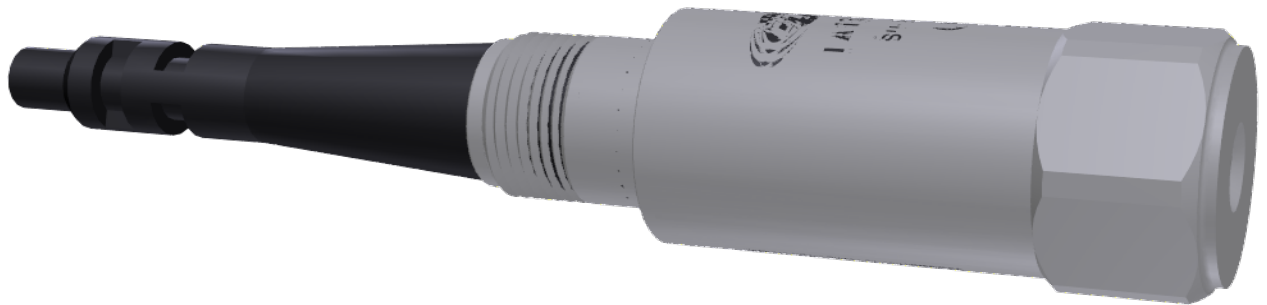
Cable Termination Options: L Z





VIBRATION ANALYSIS HARDWARE

- LEFT CLICK & DRAG TO ROTATE MODEL
- RIGHT CLICK & DRAG TO ZOOM
- HOLD BOTH MOUSE BUTTONS TO PAN



3D DATA SHEET

3 Pin Connector

Integral Cable

Armored Integral Cable



ADOBE® READER® 9.3 RECOMMENDED (Adobe® Reader® 8 Required)

CLICK TO DOWNLOAD!

CLICK HERE FOR HELP

BACK TO MAIN DATA SHEET

