

TA131 Series

Dual Output High g Accelerometer, Temperature / Acceleration
Top Exit Connector / Cable, 10 mV/g

SECTION 1 - ACCELEROMETERS

TA131 Series



Actual Product Size Shown



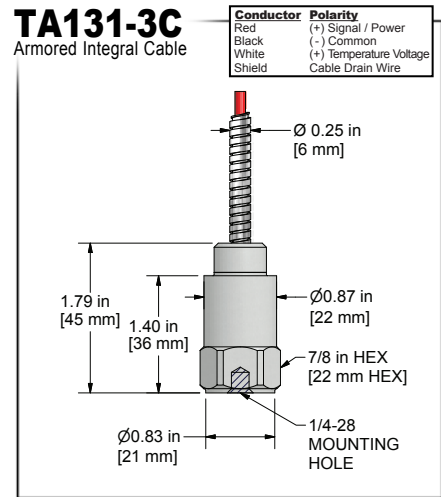
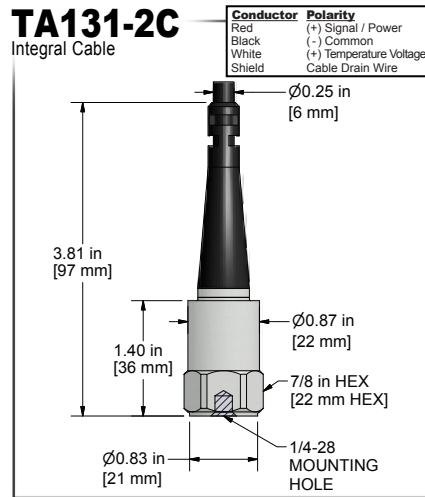
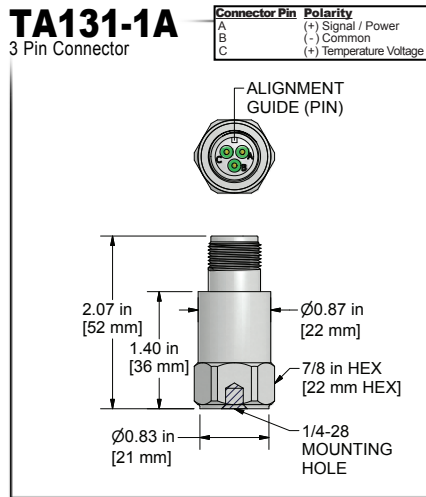
Requires **Multi-Conductor Cable**

Product Features

Temperature Output 10 mV/°C

High Performance at a Reasonable Price

- Standard 3 Pin MIL Connection
- Temperature and Acceleration in One Sensor
- Affordably Priced



Specifications	Standard	Metric
Part Number	TA131	M/TA131
Sensitivity (±10%)	10 mV/g	
Frequency Response (±3dB)	72-900,000 CPM	1,2-15000 Hz
Frequency Response (±10%)	150-360,000 CPM	2,5-6000 Hz
Dynamic Range	± 500 g, peak	
Temperature Measurement Range	37° to 250° F	3° to 121° C
Temperature Output	10 mV/°K	
Electrical		
Settling Time	<2 seconds	
Voltage Source	18-30 VDC	
Constant Current Excitation	2-10 mA	
Spectral Noise @ 10 Hz	500 µg/√Hz	
Spectral Noise @ 100 Hz	65 µg/√Hz	
Spectral Noise @ 1000 Hz	11 µg/√Hz	
Output Impedance	<100 ohm	
Bias Output Voltage	10-14 VDC	
Case Isolation	>10 ⁹ ohm	

Specifications	Standard	Metric
Environmental		
Temperature Range	-32 to 250°F	-50 to 121°C
Maximum Shock Protection	5,000 g, peak	
Electromagnetic Sensitivity	CE	
Sealing	Welded, Hermetic	
Submersible Depth (TA131-2C)	500 ft.	152 m
Physical		
Sensing Element	PZT Ceramic	
Sensing Structure	Shear Mode	
Weight	3.2 oz	90 grams
Case Material	316L Stainless Steel	
Mounting	1/4-28	
Connector (non-integral)	3 Pin MIL-C-5015	
Resonant Frequency	1,380,000 CPM	23000 Hz
Mounting Torque	2 to 5 ft. lbs.	2,7 to 6,8 Nm
Mounting Hardware	1/4-28 Stud	M6x1 Adapter Stud
Calibration Certificate	CA10	

Ordering Information

Standard	TA131-1A	TA131-2C	TA131-3C
	(1/4-28 Stud)	(1/4-28 Stud)	(1/4-28 Stud)
		- / [] - []	- / [] - [] - [] - []
		(length in feet) (termination)	(armor length in feet) (cable length in feet) (termination)
Metric	M/TA131-1A	M/TA131-2C	M/TA131-3C
	(M6x1 Adapter Stud)	(M6x1 Adapter Stud)	(M6x1 Adapter Stud)
		- / [] - []	- / [] - [] - [] - []
		(length in feet) (termination)	(armor length in feet) (cable length in feet) (termination)
		[] M - []	[] M - [] M - []
		(length in meters) (termination)	(armor length in meters) (cable length in meters) (termination)

Cable Termination Options: **L** **Z**

Backed by our Unconditional Lifetime Warranty

www.ctconline.com





VIBRATION ANALYSIS HARDWARE



3D DATA SHEET

3 Pin Connector

Integral Cable

Armored Integral Cable



ADOBE®
READER® 9.3
RECOMMENDED
(Adobe® Reader® 8 Required)

[CLICK TO DOWNLOAD!](#)

[CLICK HERE FOR HELP](#)

[BACK TO MAIN
DATA SHEET](#)



Backed by our Unconditional Lifetime Warranty

www.ctconline.com

• 800-999-5290