

TA104 Series

Dual Output, Temperature / Acceleration, Side Exit Connector / Cable, 100 mV/g, 10 mV/°C



Product Features

Temperature Output 10 mV/°C

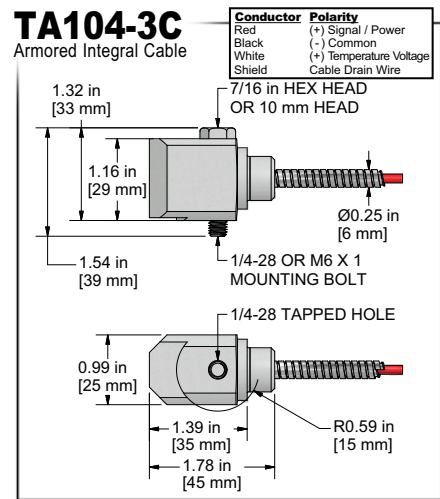
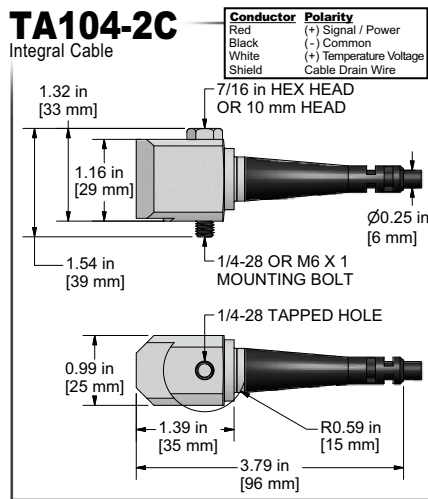
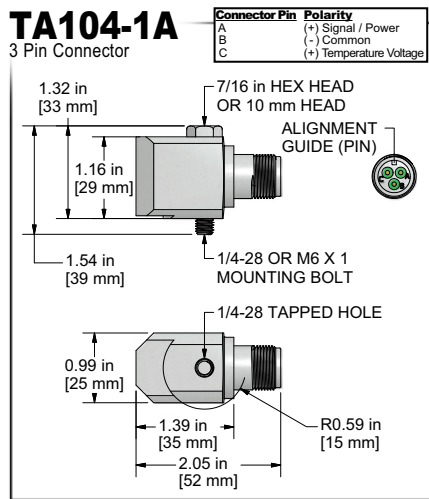
High Performance in a Low Cost Sensor

- Standard 3 Pin MIL Connection
- Temperature and Acceleration in One Sensor
- Affordably Priced



Actual Product Size Shown

Requires **Multi-Conductor Cable**



Specifications	Standard	Metric
Part Number	TA104	M/TA104
Sensitivity (±10%)	100 mV/g	
Frequency Response (±3dB)	30-600,000 CPM	0.5-10000 Hz
Frequency Response (±10%)	120-300,000 CPM	2.0-5000 Hz
Dynamic Range	± 50 g, peak	
Temperature Measurement Range	37° to 250° F	3° to 121° C
Electrical		
Settling Time	<2.5 seconds	
Voltage Source	18-30 VDC	
Constant Current Excitation	2-10 mA	
Spectral Noise @ 10 Hz	8 µg/√Hz	
Spectral Noise @ 100 Hz	0.82 µg/√Hz	
Spectral Noise @ 1000 Hz	0.3 µg/√Hz	
Output Impedance	<100 ohm	
Bias Output Voltage	10-14 VDC	
Case Isolation	>10 ⁸ ohm	

Specifications	Standard	Metric
Environmental		
Temperature Range	-40 to 250°F	-40 to 121°C
Maximum Shock Protection	5,000 g, peak	
Electromagnetic Sensitivity	CE	
Sealing	Welded, Hermetic	
Submersible Depth (TA104-2C)	500 ft.	152 m
Physical		
Sensing Element	PZT Ceramic	
Sensing Structure	Shear Mode	
Weight	5.6 oz	160 grams
Case Material	316L Stainless Steel	
Mounting	1/4-28	
Connector (non-integral)	3 Pin MIL-C-5015	
Resonant Frequency	1,260,000 CPM	21000 Hz
Mounting Torque	2 to 5 ft. lbs.	2.7 to 6.8 Nm
Mounting Hardware	1/4-28 Captive Bolt	M6x1 Captive Bolt
Calibration Certificate	CA10	

Ordering Information

Standard	TA104-1A (1/4-28 Captive Bolt)	TA104-2C - / [] - [] (1/4-28 Captive Bolt) (length in feet) (termination)	TA104-3C - / [] - [] - [] (1/4-28 Captive Bolt) (armor length in feet) (cable length in feet) (termination)
Metric	M/TA104-1A (M6x1 Captive Bolt)	M/TA104-2C - / [] - [] (M6x1 Captive Bolt) (length in feet) (termination) [] M - [] (length in meters) (termination)	M/TA104-3C - / [] - [] - [] (M6x1 Captive Bolt) (armor length in feet) (cable length in feet) (termination) [] M - [] (armor length in meters) (cable length in meters) (termination)

Cable Termination Options: L Z

