

We Make It Easy...



**Delta-3N Kft.**

7030 Paks, Jedlik Á. u. 2

Tel.: +36 75 510 115

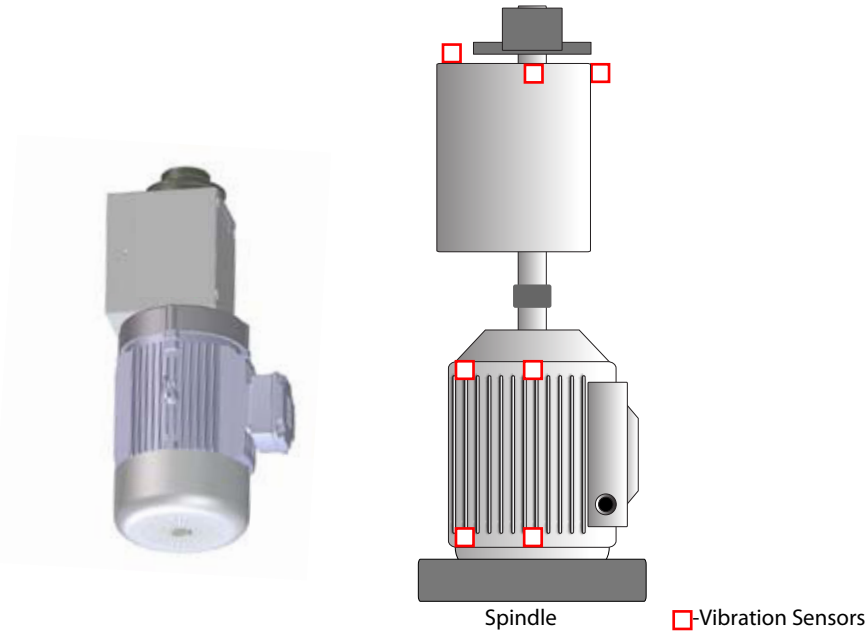
Fax: +36 75 510 114

dmagyi@delta3n.hu

www.delta3n.hu

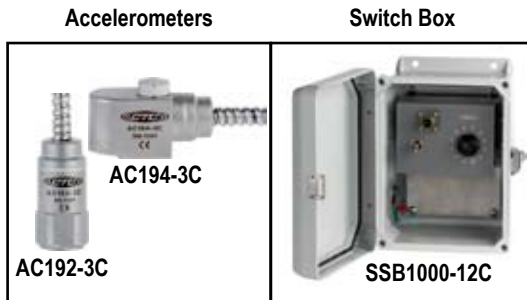
# CTC Power Pack

## Vibration Analysis Hardware for Spindles



Quantity	Part Number	Description
	AC192-3C/030/030	Compact Accelerometer, Top Exit, 100 mV/g, Armored Integral Cable, 30 ft.*
	AC194-3C/030/030	Compact Accelerometer, Side Exit, 100 mV/g, Armored Integral Cable, 30 ft.*
	SSB1000-12C	12 Channel Modular Switch Box

\*30 feet (9.1 meters) is average length.  
The actual length you need may vary.



CONNECTION TECHNOLOGY CENTER, INC.