

*We Are Your
Proximity Probe
Headquarters*

PRO



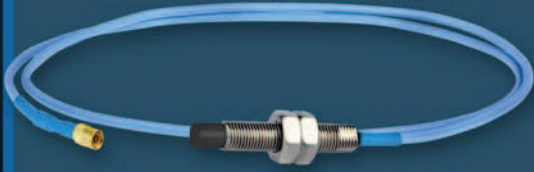
Probes

Drivers

Accessories

Proximity Probes

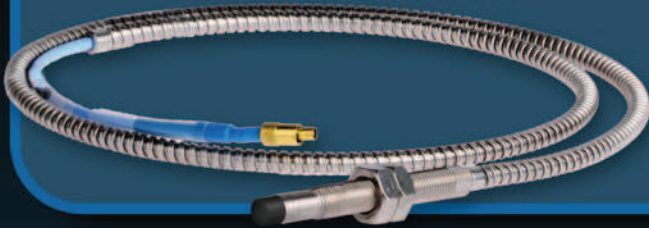
Standard Mount
proximity probe



Reverse Mount
proximity probe



Armor Jacketed
proximity probe



We are proud to offer our customers **API Standard 670 & BENTLY Compatible** Proximity Probes, constructed with durable stainless steel & backed by our industry leading lifetime warranty.

- Multiple case & thread lengths available
- 8 mm probe tip diameter with 3/8-24 threaded body
- Probe tip & body sealed to prevent leaks

5 & 9 Meter Lengths Available

Probe Driver



- Flexible system configuration
- DC gap & shaft vibration signals available via BNC jack for analysis
- Multiple mounting options: Panel, DIN rail, or none

DIN Rail Mount



Panel Mount



Driver Enclosure



This driver enclosure allows you to protect up to six proximity probe drivers from dirt, dust, oil, & water.

Optional, factory installed DC power supply, pre-wired to drivers.

Extension Cables



PRO extension cables are Teflon® or armor jacketed & cost effective as a component of a complete vibration monitoring assembly.

Connector Protector Options:

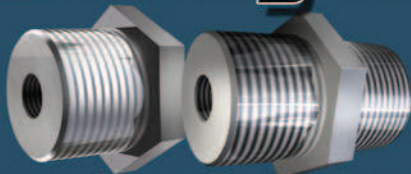


Booted Connector Protector



Self-Adhesive Silicone Tape

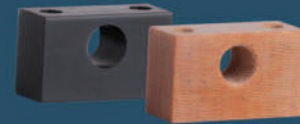
Mounting Hardware



Mounting Bushings
3/4" 14 NPT & 1/2" 14 NPT



Clamping
Mounting Blocks



Non-Clamping
Mounting Blocks

Mounting blocks are available in aluminum or phenolic materials

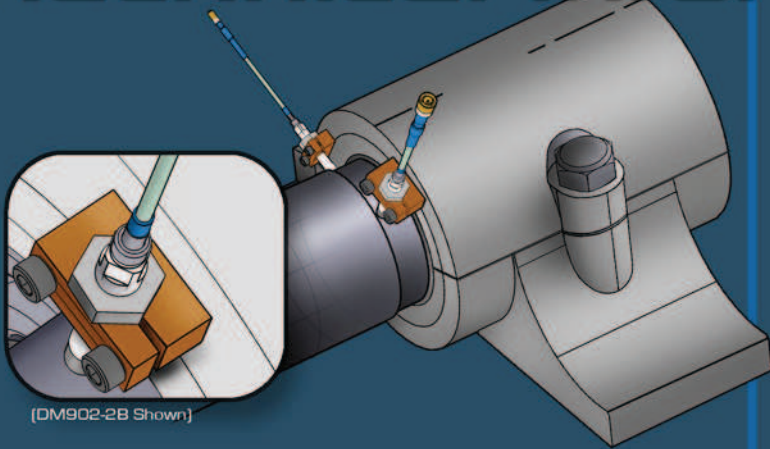
All of PRO products feature our industry leading

Lifetime Warranty

Lifetime Warranty on Materials & Workmanship

PRO will repair or replace any of our products under warranty so long as the product was not subjected to misuse, neglect, natural disasters, improper installation or modification which caused the defect.

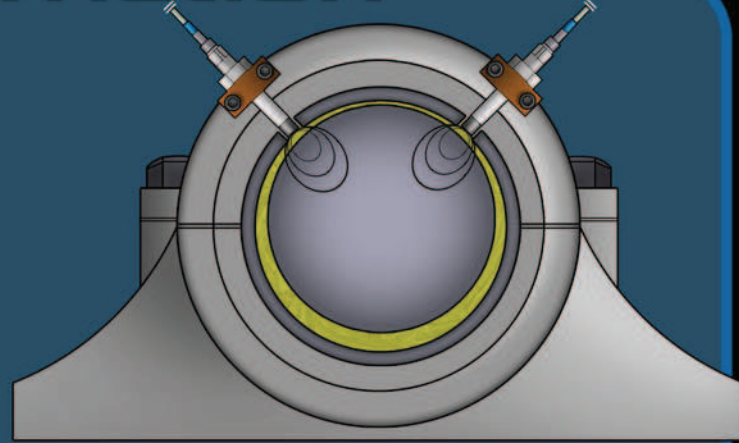
Technical Information



(DM902-2B Shown)

Proper Installation

Our Proximity Probes are designed to be mounted on fluid-film bearings using PRO Proximity Probe Mounts (featured inside this brochure). It is important that they are mounted correctly to provide the most accurate measurements.



Bearing Monitoring

The diagram above illustrates how proximity probes acquire signal from the movement of a shaft within a fluid film bearing.

Additional Options Available

4-20 mA Output Signal Conditioning

- Overall Vibration
- Gap Voltage Measurement

Enclosures Including

- Power Supplies
- Relays: - Relay Settings
- Latching Capabilities
- Daylight Display



PROTECTION & RELIABILITY
OPTIMIZATION INSTRUMENTS
A CTC COMPANY

FASTEST LEAD TIMES in the industry!



Delta-3N Kft.

7030 Paks, Jedlik Á. u. 2

Tel.: +36 75 510 115

Fax: +36 75 510 114

drnagyi@delta3n.hu

www.delta3n.hu