

LP952 Series

IEC Certified (IECEX), Loop Power Sensor, Acceleration, 4-20 mA, Top Exit Connector / Cable



IECEX

Actual Product Size Shown

Product Features

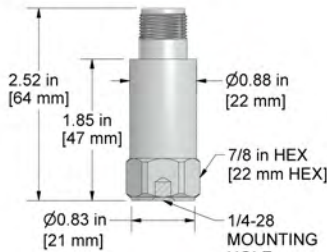
Continuous Monitoring in Hazardous Locations

- Requires Energy Limiting Barriers such as IS111 or IS211 Series
- Works with Standard Cables
- IECEx Certification

LP952-1B

2 Pin Connector

Connector Pin	Polarity
A	(+) Loop Power mA Output
B	(-) Common



LP952-2C

Integral Cable

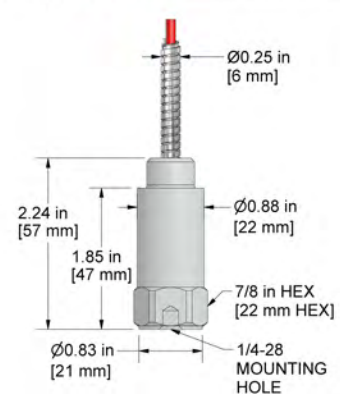
Conductor	Polarity
Red	(+) Loop Power mA Output
Black	(-) Common
Shield	Cable Drain Wire



LP952-3C

Armored Integral Cable

Conductor	Polarity
Red	(+) Signal / Power
Black	(-) Common
Shield	Cable Drain Wire



Specifications	Standard	Metric
Output, 4-20 mA	See Selection Guide	
Measurement Range		
Electrical		
Settling Time (Turn on Time) @ Room Temp (68° F/20° C)	<60 Seconds	
Power Requirement (Loop Powered) Voltage Source	12-28 VDC	
Electrical Case Isolation	>10 ⁸ ohm	
Environmental		
Temperature Range	-40 to 176°F	-40 to 80°C
Electromagnetic Sensitivity	CE	
Sealing	Welded, Hermetic	
Submersible Depth (LP952-2C)	200 ft.	61 m

Specifications	Standard	Metric
Physical		
Sensing Element	PZT Ceramic	
Sensing Structure	Shear Mode	
Weight (without cable)	3.7 oz	105 grams
Case Material	316L Stainless Steel	
Mounting Hole	1/4-28	
Connector (LP952-1B)	2 Pin MIL-C-5015	
Integral Cable (LP952-2C)	CB103	
Armored Cable (LP952-3C)	CB206, Armor Jacket	
Mechanical		
Mounting Torque	2 to 5 ft. lbs.	2,7 to 6,8 Nm
Supplied Accessories		
Mounting Hardware	1/4-28 Stud	M6x1 Adapter Stud
Calibration Certificate	Current Output @ 100 Hz	

Ordering Information



Stud Type	Measurement Range	Range Type	Frequency Range +/- 3dB	Style	Cable Length (Integral)
M = M6x1 (blank for 1/4-28)	0 = 0-1 g 2 = 0-2 g 5 = 0-5 g 10 = 0-10 g 20 = 0-20 g	R = RMS P = Peak	1 = 600-60,000 CPM (10-1000 Hz) 2 = 180-150,000 CPM (3-2500 Hz)	1B = 2 Pin MIL-C-5015 2C = Integral Cable, CB103 3C = Armor Jacket, CB206	010 = 10 ft. (3 m) 020 = 20 ft. (6 m) 030 = 30 ft. (9 m) 050 = 50 ft. (15 m) 100 = 100 ft. (30 m) <small>(Custom lengths available upon request)</small>

Read Before Purchasing

Important information on Regulatory Approvals and Requirements on Page 208

Lifetime Warranty on Materials & Workmanship

