

# LP204 Series

Loop Power Sensor, Velocity, 4-20 mA Output, Side Exit



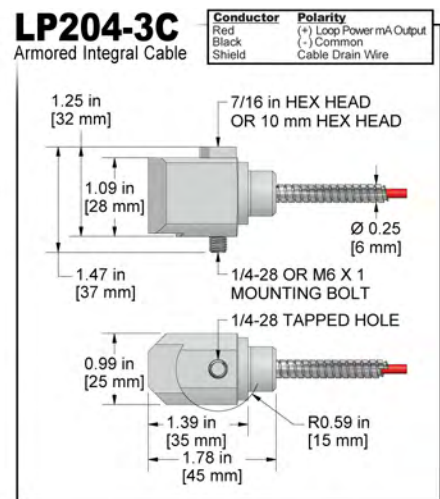
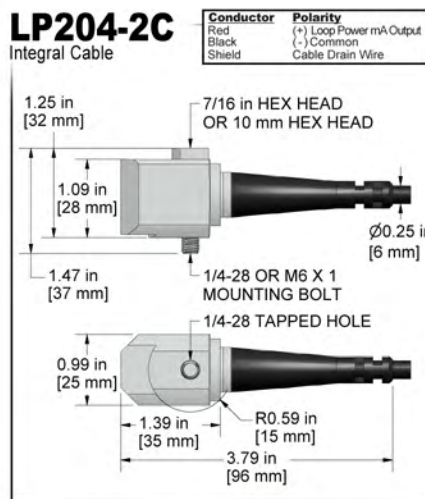
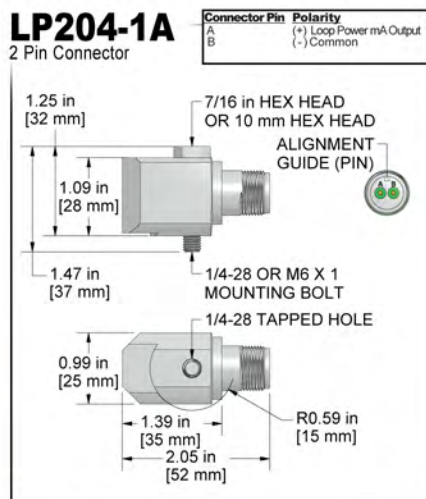
## Product Features

**Continuously Monitor & Protect Important Machinery**

- 4-20 mA current proportional to Vibration
- Transmit Signals Over Long Distances with no Signal Loss
- Customize Your Settings to Focus on the Most Important Frequencies



Actual Product Size Shown



| Specifications  | Standard             | Metric      |
|---|----------------------|-------------|
| Output, 4-20 mA   | See Selection Guide  |             |
| Measurement Range   | See Selection Guide  |             |
| <b>Electrical</b>   |                      |             |
| Settling Time (Turn on Time)<br>@ Room Temp (68° F/20° C) | <60 Seconds          |             |
| Power Requirement (Loop Powered)<br>Voltage Source        | 15-30 VDC            |             |
| Electrical Case Isolation                                 | >10 <sup>8</sup> ohm |             |
| <b>Environmental</b>                                      |                      |             |
| Temperature Range   | -40 to 185°F         | -40 to 85°C |
| Electromagnetic Sensitivity                               | CE                   |             |
| Sealing   | Welded, Hermetic     |             |
| Submersible Depth(LP204-2C)                               | 500 ft.              | 152 m       |

| Specifications              | Standard                | Metric            |
|-----------------------------|-------------------------|-------------------|
| <b>Physical</b>             |                         |                   |
| Sensing Element             | PZT Ceramic             |                   |
| Sensing Structure           | Shear Mode              |                   |
| Weight (without cable)      | 4.9 oz                  | 140 grams         |
| Case Material               | 316L Stainless Steel    |                   |
| Mounting Hole               | 1/4-28                  |                   |
| Connector (LP204-1A)        | 2 Pin MIL-C-5015        |                   |
| Integral Cable (LP204-2C)   | CB103                   |                   |
| Armored Cable (LP204-3C)    | CB206                   |                   |
| <b>Mechanical</b>           |                         |                   |
| Mounting Torque             | 2 to 5 ft. lbs.         | 2,7 to 6,8 Nm     |
| <b>Supplied Accessories</b> |                         |                   |
| Mounting Hardware           | 1/4-28 Captive Bolt     | M6x1 Captive Bolt |
| Calibration Certificate     | Current Output @ 100 Hz |                   |

## Ordering Information



| Stud Type                      | Measurement Range   | Range Type          | Frequency Range +/- 3dB  | Style   | Cable Length (Integral)   |
|--------------------------------|---|---------------------|--|---|---|
| M = M6x1<br>(blank for 1/4-28) | 0 = 0-0.5 IPS (0-12.7 mm/sec)<br>1 = 0-1 IPS (0-25.4 mm/sec)<br>2 = 0-2 IPS (0-50.8 mm/sec)<br>3 = 0-10 mm/sec (0-0.4 IPS)<br>4 = 0-20 mm/sec (0-0.8 IPS) | R = RMS<br>P = Peak | 1 = 600-60,000 CPM (10-1000 Hz)<br>2 = 180-150,000 CPM (3-2500 Hz) | 1A = 2 Pin MIL-C-5015<br>2C = Integral Cable, CB103<br>3C = Armor Jacket, CB206 | 010 = 10 ft. (3 m)<br>020 = 20 ft. (6 m)<br>030 = 30 ft. (9 m)<br>050 = 50 ft. (15 m)<br>100 = 100 ft. (30 m)<br><i>(Custom lengths available upon request)</i> |

Lifetime Warranty on Materials & Workmanship

www.ctconline.com •



SECTION 6 - PRO SENSORS LP204 Series