

# LP354 Series

Loop Power Vibration Sensor/Transmitter, Acceleration, 4-20 mA Output, Side Exit Cable / Connector

PRO Line: 4-20 mA Sensors  
LP354 Series

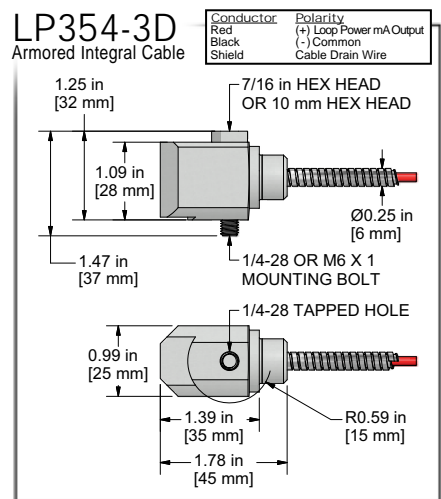
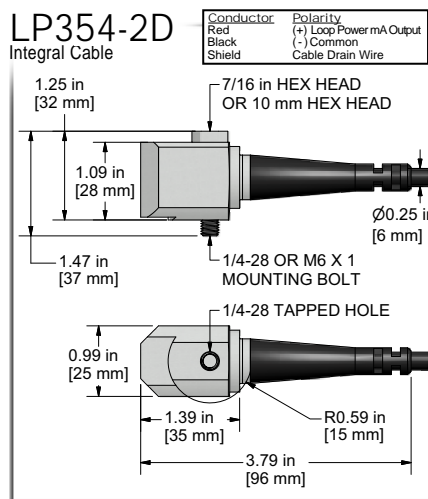
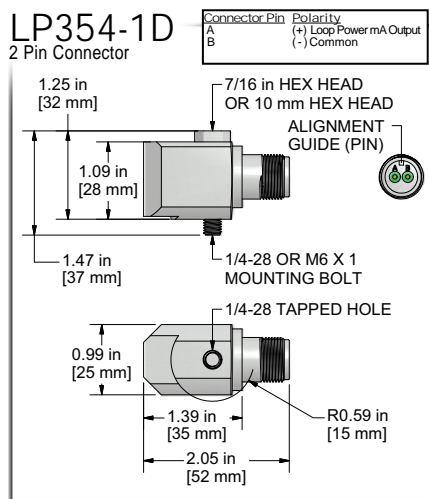
## Product Features

Protect Machinery from Excessive Vibration or Catastrophic Failure

- Peak and RMS Outputs Available
- Acceleration Output for Higher Frequency Applications
- Outputs to PLC, DCS, SCADA



Actual Product Size Shown



Specifications	Standard	Metric
Output, 4-20 mA	See Selection Guide	
Measurement Range		
<b>Electrical</b>		
Power Requirement (Loop Powered)	15-30 VDC	
Voltage Source		
Electrical Case Isolation	>10 <sup>8</sup> ohm	
<b>Environmental</b>		
Temperature Range	-40 to 185°F	-40 to 85°C
Electromagnetic Sensitivity	CE	
Sealing	Welded, Hermetic	
Submersible Depth (LP354-2C)	500 ft.	152 m

Specifications	Standard	Metric
<b>Physical</b>		
Sensing Element	PZT Ceramic	
Sensing Structure	Shear Mode	
Weight (without cable)	4.9 oz	140 grams
Case Material	316L Stainless Steel	
Mounting Bolt	1/4-28	
Connector (LP354-1A)	2 Pin MIL-C-5015	
Integral Cable (LP354-2C)	Polyurethane Jacketed Cable	
Armored Cable (LP354-3D)	Armor Jacketed Cable	
<b>Mechanical</b>		
Mounting Torque	2 to 5 ft. lbs.	2,7 to 6,8 Nm
<b>Supplied Accessories</b>		
Mounting Hardware	1/4-28 Captive Bolt	M6x1 Captive Bolt
Calibration Certificate	Current Output @ 100 Hz	

## Ordering Information



Stud Type	Measurement Range	Range Type	Frequency Range +/- 3dB	Style	Cable Length (Integral)
M = M6x1 <i>(blank for 1/4-28)</i>	0 = 0-1 g 2 = 0-2 g 5 = 0-5 g 10 = 0-10 g 20 = 0-20 g	R = RMS P = Peak	1 = 600-60,000 CPM (10-1000 Hz) 2 = 180-150,000 CPM (3-2500 Hz)	1D = 2 Pin MIL C-5015 2D = Integral Cable 3D = Armor Jacket	010 = 10 ft. (3 m) 020 = 20 ft. (6 m) 030 = 30 ft. (9 m) 050 = 50 ft. (15 m) 100 = 100 ft. (30 m) <i>(Custom lengths available upon request)</i>

Cable Termination Options:

E  
F  
Z



**Lifetime Warranty on Materials & Workmanship**