

# LP284 Series

Loop Power Sensor, Velocity, 4-20 mA Output, Side Exit, M8 Captive Bolt



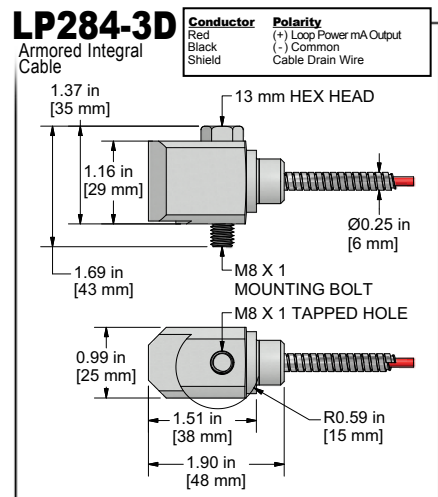
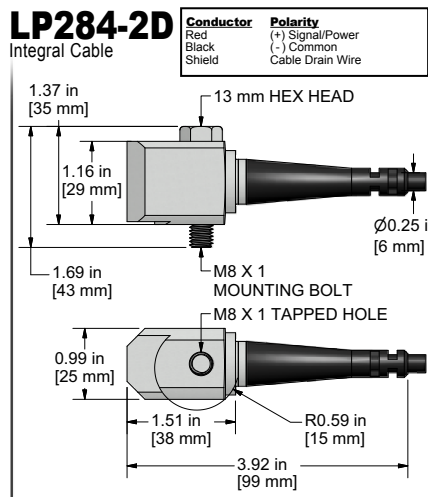
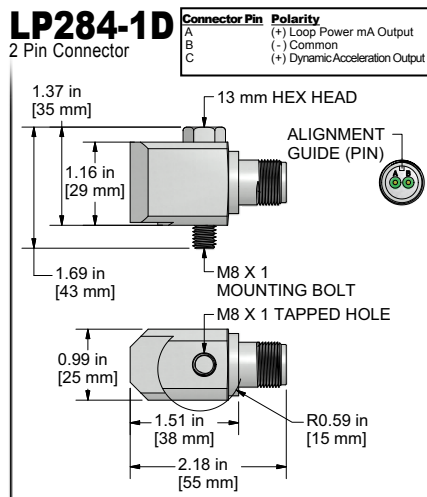
**M8 Captive Bolt**

Actual Product Size Shown

## Product Features

**Continuously Monitor & Protect Important Machinery**

- 4-20 mA current proportional to Vibration
- M8 Captive Bolt
- Customize Your Settings to Focus on the Most Important Frequencies



Specifications	Standard	Metric
Output, 4-20 mA	See Selection Guide	
Measurement Range		
<b>Electrical</b>		
Settling Time (Turn on Time) @ Room Temp (68° F/20° C)	<30 Seconds	
Power Requirement (Loop Powered) Voltage Source	15-30 VDC	
Electrical Case Isolation	>10 <sup>8</sup> ohm	
<b>Environmental</b>		
Temperature Range	-40 to 185°F	-40 to 85°C
Electromagnetic Sensitivity	CE	
Sealing	Welded, Hermetic	
Submersible Depth (LP284-2D)	500 ft.	152 m

Specifications	Standard	Metric
<b>Physical</b>		
Sensing Element	PZT Ceramic	
Sensing Structure	Shear Mode	
Weight (without cable)	4.9 oz	140 grams
Case Material	316L Stainless Steel	
Mounting Hole	1/4-28	
Connector (LP284-1D)	2 Pin MIL-C-5015	
Integral Cable (LP284-2D)	Polyurethane Jacketed Cable	
Armored Cable (LP284-3D)	Armor Jacketed Cable	
<b>Mechanical</b>		
Mounting Torque	2 to 5 ft. lbs.	2,7 to 6,8 Nm
<b>Supplied Accessories</b>		
Mounting Hardware	1/4-28 Captive Bolt	M6x1 Captive Bolt
Calibration Certificate	Current Output @ 100 Hz	

## Ordering Information

M/LP284 - [ ] [ ] [ ] - [ ] [ ] / [ ] [ ] [ ] / [ ] [ ] [ ] -Z

Measurement Range	Range Type	Frequency Range +/- 3dB	Style	Armor Length (Integral)	Cable Length (Integral)
0 = 0-0.5 IPS (0-12,7 mm/sec)	R = RMS	1 = 600-60,000 CPM (10-1000 Hz)	1D = 2 Pin MIL C-5015	010 = 10 ft. (3 m)	010 = 10 ft. (3 m)
1 = 0-1 IPS (0-25,4 mm/sec)	P = Peak	2 = 180-150,000 CPM (3-2500 Hz)	2D = Integral Cable	020 = 20 ft. (6 m)	020 = 20 ft. (6 m)
2 = 0-2 IPS (0-50,8 mm/sec)		3 = 180-60,000 CPM (3-1000 Hz)	3D = Armor Jacket	030 = 30 ft. (9 m)	030 = 30 ft. (9 m)
3 = 0-10 mm/sec (0-0,4 IPS)		4 = 180-300,000 CPM (3-5000 Hz)		050 = 50 ft. (15 m)	050 = 50 ft. (15 m)
4 = 0-20 mm/sec (0-0,8 IPS)				100 = 100 ft. (30 m)	100 = 100 ft. (30 m)
6 = 0-5 IPS (0-127 mm/sec)				<i>(Custom lengths available upon request)</i>	

**Lifetime Warranty on Materials & Workmanship**

www.ctonline.com



PROTECTION & RELIABILITY  
OPTIMIZATION INSTRUMENTS  
A CTE COMPANY

SECTION 6 - PRO LINE  
LP284 Series