

We Make It Easy...



Delta-3N Kft.

7030 Paks, Jedlik Á. u. 2

Tel.: +36 75 510 115

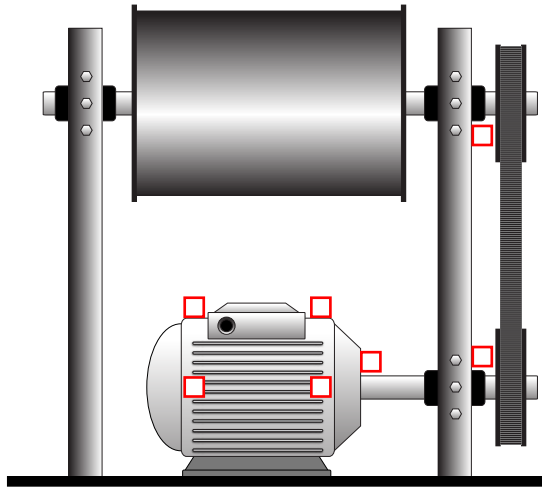
Fax: +36 75 510 114

dmagyi@delta3n.hu

www.delta3n.hu

CTC Power Pack

Vibration Analysis Hardware for Conveyor Belts



□-Vibration Sensors

Quantity	Part Number	Description
	AC192-1A	Compact Accelerometer, Top Exit, 100 mV/g
	AC194-1A	Compact Accelerometer, Side Exit, 100 mV/g
	CB102-A2A-030-Z	Twisted, shielded pair cable, red Teflon® Jacket, 30 ft.*
	SSB1000-6C	6 Channel Modular Switch Box

*30 feet (9.1 meters) is average length.
The actual length you need may vary.

Recommended System

Accelerometers

Cable

Switch Box



CONNECTION TECHNOLOGY CENTER, INC.