

# AC115 Series

Low Cost Triaxial Accelerometer, Connector / Cable, 100 mV/g

SECTION 1 - ACCELEROMETERS  
AC115 Series



Actual Product Size Shown



**Must Use J4A or J4C Connectors**  
**Must Use CB105, CB117, CB119 or CB218 Cables**  
**Product Features**

**Low Cost Triaxial Sensor**

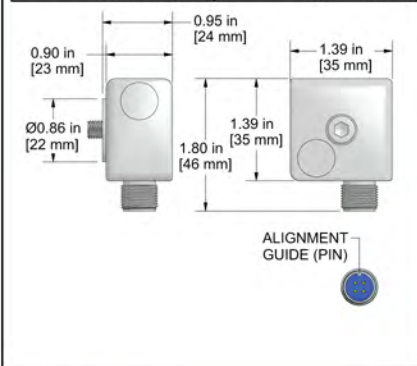
**Speeds Data Collection**

- $\pm 15\%$  Sensitivity
- Monitor 3 Channels of Data Simultaneously
- Affordably Priced

## AC115-1D

4 Pin Connector

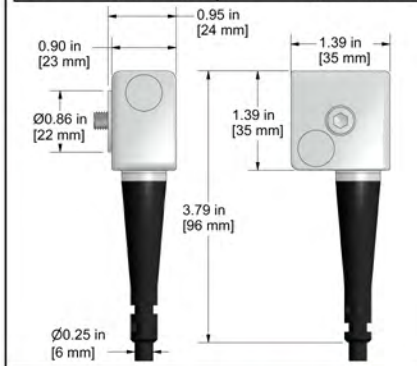
Connector Pin Polarity		DLI Compatible Connector Pin Polarity	
A	Axis Y (+) Signal / Power	A	Axis 1 (+) Signal / Power
B	Axis X (+) Signal / Power	B	Axis 2 (+) Signal / Power
C	Axis Z (+) Signal / Power	C	Axis 3 (+) Signal / Power
D	(-) Common / Grid	D	(-) Common / Grid



## AC115-2D

Integral Cable

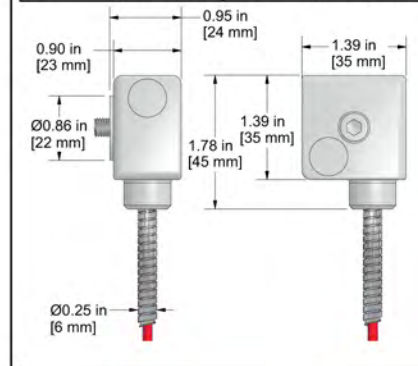
Conductor Polarity		DLI Compatible Conductor Polarity	
Red	Axis Y (+) Signal / Power	Red	Axis 1 (+) Signal / Power
Green	Axis X (+) Signal / Power	Green	Axis 2 (+) Signal / Power
White	Axis Z (+) Signal / Power	White	Axis 3 (+) Signal / Power
Black	(-) Common / Grid	Black	(-) Common / Grid



## AC115-3D

Armored Integral Cable

Conductor Polarity		DLI Compatible Conductor Polarity	
Red	Axis Y (+) Signal / Power	Red	Axis 1 (+) Signal / Power
Green	Axis X (+) Signal / Power	Green	Axis 2 (+) Signal / Power
White	Axis Z (+) Signal / Power	White	Axis 3 (+) Signal / Power
Black	(-) Common / Grid	Black	(-) Common / Grid



Specifications	Standard	Metric
Part Number	AC115	M/AC115
Sensitivity ( $\pm 15\%$ )	100 mV/g	
Frequency Response ( $\pm 3\text{dB}$ )	60-390,000 CPM	1,0-6500 Hz
Dynamic Range	$\pm 50$ g, peak	
<b>Electrical</b>		
Settling Time	<2.5 seconds	
Voltage Source	18-30 VDC	
Constant Current Excitation	2-10 mA	
Spectral Noise @ 10 Hz	27 $\mu\text{g}/\sqrt{\text{Hz}}$	
Spectral Noise @ 100 Hz	6.5 $\mu\text{g}/\sqrt{\text{Hz}}$	
Spectral Noise @ 1000 Hz	2.5 $\mu\text{g}/\sqrt{\text{Hz}}$	
Output Impedance	<100 ohm	
Bias Output Voltage	11-13 VDC	
Case Isolation	>10 <sup>8</sup> ohm	

Specifications	Standard	Metric
<b>Environmental</b>		
Temperature Range	-58 to 250°F	-50 to 121°C
Electromagnetic Sensitivity	CE	
Sealing	Welded, Hermetic	
Submersible Depth (AC115-2D)	500 ft.	152 m
<b>Physical</b>		
Sensing Element	PZT Ceramic	
Sensing Structure	Shear Mode	
Weight	7.1 oz	200 grams
Case Material	316L Stainless Steel	
Mounting	1/4-28	
Connector (non-integral)	4 Pin, J Connector	
Mounting Torque	1 to 2 ft. lbs.	1,4 to 2,7 Nm
Mounting Hardware	1/4-28 Captive Bolt	M6x1 Captive Bolt
Calibration Certificate	CA10	

## Ordering Information

Standard	AC115-1D (1/4-28 Captive Bolt)	AC115-2D - / <input type="text"/> - <input type="text"/> (1/4-28 Captive Bolt) (length in feet) (termination)	AC115-3D - / <input type="text"/> - <input type="text"/> (1/4-28 Captive Bolt) (length in feet) (termination)
Metric	M/AC115-1D (M6x1 Captive Bolt)	M/AC115-2D - / <input type="text"/> - <input type="text"/> (M6x1 Captive Bolt) (length in feet) (termination) <input type="text"/> M - <input type="text"/> (length in meters) (termination)	M/AC115-3D - / <input type="text"/> - <input type="text"/> (M6x1 Captive Bolt) (length in feet) (termination) <input type="text"/> M - <input type="text"/> (length in meters) (termination)

Backed by our Unconditional Lifetime Warranty

www.ctonline.com

