

# AC136 Series

Low Frequency Accelerometer, Side Exit Connector / Cable, 500 mV/g

SECTION 1 - ACCELEROMETERS  
AC136 Series



## Product Features

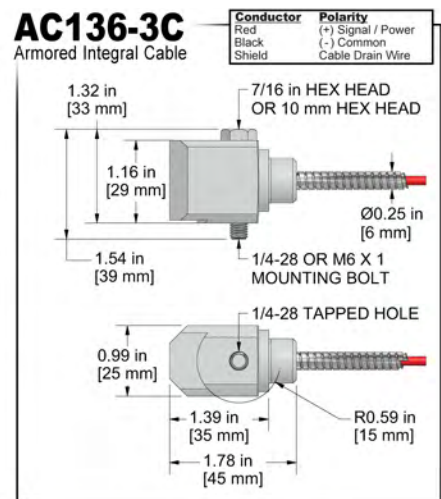
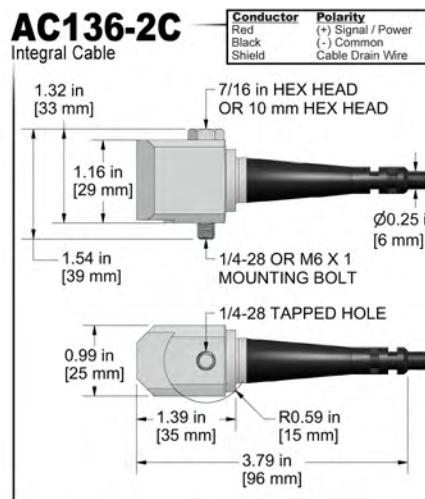
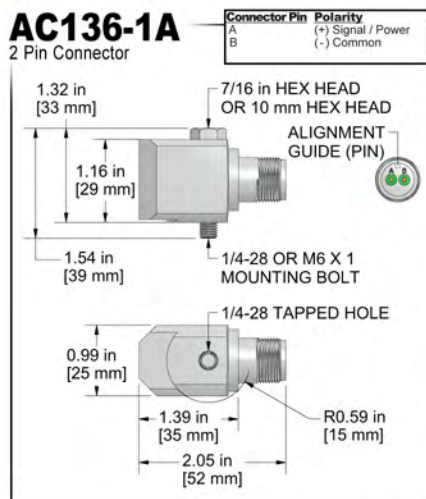
**Low Frequency / Slow Speed Sensor**

**0,2 - 3000 Hz (12-180000 CPM)**

- 500 mV/g, ±10% Sensitivity
- Standard 2 Pin MIL Connection
- ±10g Peak



Actual Product Size Shown



| Specifications              | Standard             | Metric      |
|-----------------------------|----------------------|-------------|
| Part Number                 | AC136                | M/AC136     |
| Sensitivity (±10%)          | 500 mV/g             |             |
| Frequency Response (±3dB)   | 12-180,000 CPM       | 0,2-3000 Hz |
| Frequency Response (±10%)   | 36-90,000 CPM        | 0,6-1500 Hz |
| Dynamic Range               | ± 10 g, peak         |             |
| <b>Electrical</b>           |                      |             |
| Settling Time               | 5 Seconds            |             |
| Voltage Source              | 18-30 VDC            |             |
| Constant Current Excitation | 2-10 mA              |             |
| Spectral Noise @ 10 Hz      | 1.7 µg/√Hz           |             |
| Spectral Noise @ 100 Hz     | 0.2 µg/√Hz           |             |
| Spectral Noise @ 1000 Hz    | 0.12 µg/√Hz          |             |
| Output Impedance            | <200 ohm             |             |
| Bias Output Voltage         | 10-14 VDC            |             |
| Case Isolation              | >10 <sup>8</sup> ohm |             |

| Specifications               | Standard             | Metric            |
|------------------------------|----------------------|-------------------|
| <b>Environmental</b>         |                      |                   |
| Temperature Range            | -58 to 250° F        | -50 to 121°C      |
| Electromagnetic Sensitivity  | CE                   |                   |
| Sealing                      | Welded, Hermetic     |                   |
| Submersible Depth (AC136-2C) | 500 ft.              | 152 m             |
| <b>Physical</b>              |                      |                   |
| Sensing Element              | PZT Ceramic          |                   |
| Sensing Structure            | Shear Mode           |                   |
| Weight                       | 5.5 oz               | 156 grams         |
| Case Material                | 316L Stainless Steel |                   |
| Mounting                     | 1/4-28               |                   |
| Connector (non-integral)     | 2 Pin MIL-C-5015     |                   |
| Resonant Frequency           | 840,000 CPM          | 14000 Hz          |
| Mounting Torque              | 2 to 5 ft. lbs.      | 2,7 to 6,8 Nm     |
| Mounting Hardware            | 1/4-28 Captive Bolt  | M6x1 Captive Bolt |
| Calibration Certificate      | CA10                 |                   |

## Ordering Information

|          |                                   |  |  |
|----------|-----------------------------------|--|--|
| Standard | AC136-1A<br>(1/4-28 Captive Bolt) | AC136-2C - / [ ] - [ ]<br>(1/4-28 Captive Bolt) (length in feet) (termination) | AC136-3C - / [ ] - [ ]<br>(1/4-28 Captive Bolt) (length in feet) (termination) |
| Metric   | M/AC136-1A<br>(M6x1 Captive Bolt) | M/AC136-2C - / [ ] - [ ]<br>(M6x1 Captive Bolt) (length in feet) (termination) | M/AC136-3C - / [ ] - [ ]<br>(M6x1 Captive Bolt) (length in feet) (termination) |
|          |                                   | [ ] M - [ ]<br>(length in meters) (termination)                                | [ ] M - [ ]<br>(length in meters) (termination)                                |

Cable Termination Options: E F Z

Backed by our Unconditional Lifetime Warranty

www.ctonline.com

