

AC966 Series

Low Capacitance, IEC Certified (IECEx), Intrinsically Safe Accelerometer, Side Exit Connector / Cable, 100 mV/g

SECTION 1 - ACCELEROMETERS



Actual Product Size Shown



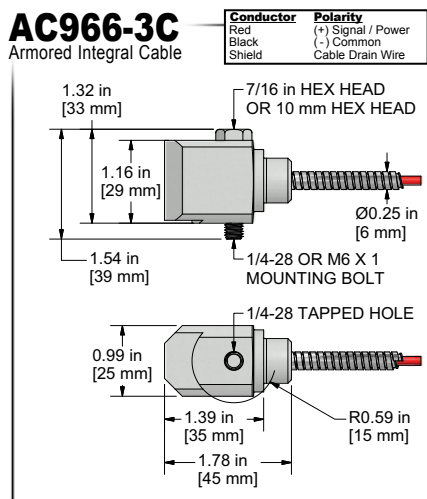
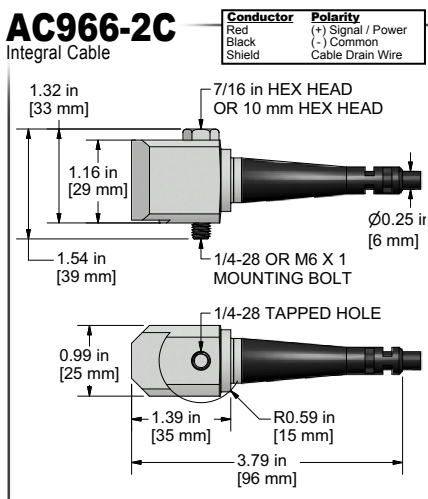
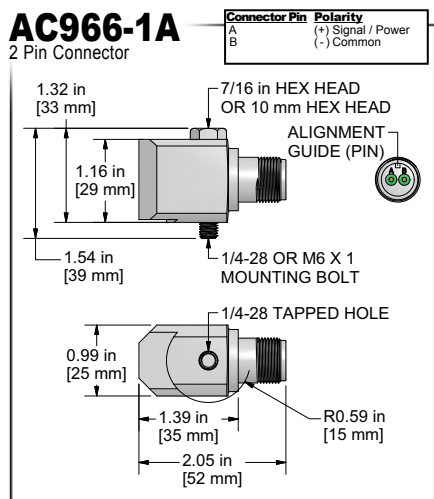
Requires Intrinsically Safe Barrier

Product Features

IECEx Approvals

High Performance in a Low Cost Sensor

- 0,5-8600 Hz (30-516,000 CPM)
- 100 mV/g Sensitivity $\pm 10\%$
- Requires Intrinsic Safety Barrier (see page 228)



Specifications	Standard	Metric
Part Number	AC966	M/AC966
Sensitivity ($\pm 10\%$)		100 mV/g
Frequency Response ($\pm 3dB$)	30-516,000 CPM	0,5-8600 Hz
Frequency Response ($\pm 10\%$)	60-300,000 CPM	1,0-5000 Hz
Dynamic Range		± 50 g, peak
Electrical		
Settling Time		<3 Seconds
Voltage Source		18-28 VDC
Constant Current Excitation		2-4 mA
Spectral Noise @ 10 Hz		40 μ g/ \sqrt{Hz}
Spectral Noise @ 100 Hz		25 μ g/ \sqrt{Hz}
Spectral Noise @ 1000 Hz		26 μ g/ \sqrt{Hz}
Output Impedance		<100 ohm
Bias Output Voltage		10-14 VDC
Case Isolation		>10 ⁸ ohm

Specifications	Standard	Metric
Environmental		
Temperature Range	-40° to 250°F	-40° to 121°C
Maximum Shock Protection		5,000 g, peak
Electromagnetic Sensitivity		CE
Sealing		Welded, Hermetic
Submersible Depth (AC966-2C)	200 ft.	61 m
Physical		
Sensing Element		PZT Ceramic
Sensing Structure		Shear Mode
Weight	5.3 oz	151 grams
Case Material		316L Stainless Steel
Mounting		1/4-28
Connector (non-integral)		2 Pin MIL-C-5015
Resonant Frequency	1,320,000 CPM	22000 Hz
Mounting Torque	2 to 5 ft. lbs.	2,7 to 6,8 Nm
Mounting Hardware	1/4-28 Captive Bolt	M6x1 Captive Bolt
Calibration Certificate		CA10

Ordering Information

Standard	AC966-1A (1/4-28 Captive Bolt)	AC966-2C - / [] - [] (1/4-28 Captive Bolt) (length in feet) (termination)	AC966-3C - / [] - [] - [] - [] (1/4-28 Captive Bolt) (armor length in feet) (cable length in feet) (termination)
Metric	M/AC966-1A (M6x1 Captive Bolt)	M/AC966-2C - / [] - [] (M6x1 Captive Bolt) (length in feet) (termination)	M/AC966-3C - / [] - [] - [] - [] (M6x1 Captive Bolt) (armor length in feet) (cable length in feet) (termination)
		[] - [] M - [] (length in meters) (termination)	[] - [] M - [] (armor length in meters) (cable length in meters) (termination)

Read Before Purchasing
Important information on
Regulatory Approvals and Requirements
on Page 75

Cable Termination Options: L Z

Backed by our Unconditional Lifetime Warranty

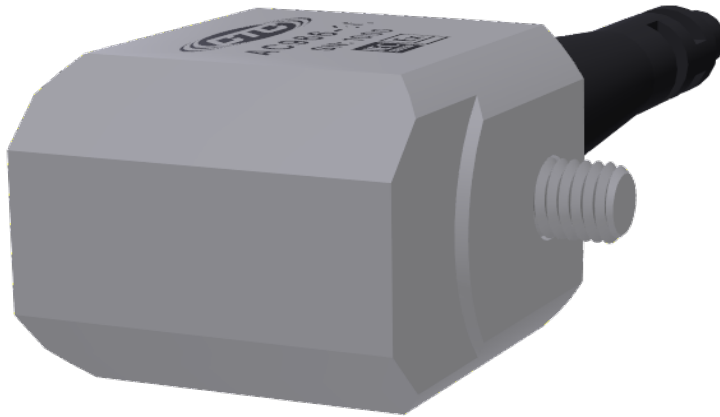
www.ctconline.com





VIBRATION ANALYSIS HARDWARE

- LEFT CLICK & DRAG TO ROTATE MODEL
- RIGHT CLICK & DRAG TO ZOOM
- HOLD BOTH MOUSE BUTTONS TO PAN



3D DATA SHEET

2 Pin Connector

Integral Cable

Armored Integral Cable



ADOBE®
READER® 9.3
RECOMMENDED
(Adobe® Reader® 8 Required)

CLICK TO DOWNLOAD!

CLICK HERE FOR HELP

BACK TO MAIN
DATA SHEET

