

AC964 Series

Low Capacitance, IEC Certified (IECEx), Intrinsically Safe Accelerometer, Side Exit Connector / Cable, 50 mV/g

SECTION 1 - ACCELEROMETERS



Actual Product Size Shown



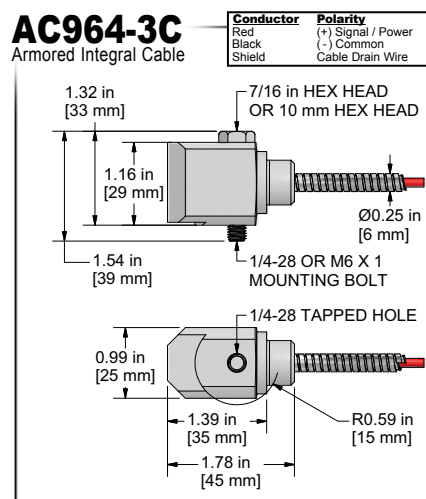
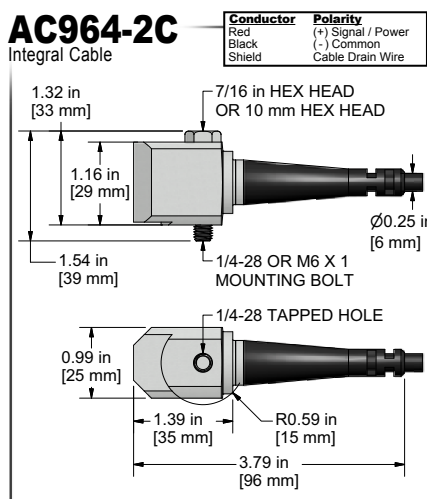
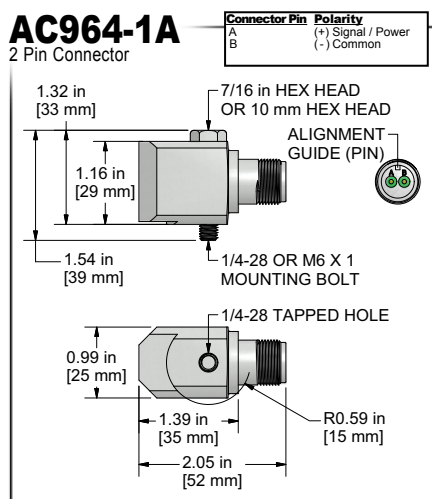
Requires Intrinsically Safe Barrier

Product Features

IECEx Approvals

Excellent for Higher g Applications

- $\pm 100g$ Dynamic Range
- 50 mV/g Sensitivity $\pm 10\%$
- Requires Intrinsic Safety Barrier (see page 228)



Specifications	Standard	Metric
Part Number	AC964	M/AC964
Sensitivity ($\pm 10\%$)	50 mV/g	
Frequency Response ($\pm 3dB$)	60-516,000 CPM	1,0-8600 Hz
Frequency Response ($\pm 10\%$)	90-300,000 CPM	1,5-5000 Hz
Dynamic Range	± 100 g, peak	
Electrical		
Settling Time	<3 Seconds	
Voltage Source	18-28 VDC	
Constant Current Excitation	2-4 mA	
Spectral Noise @ 10 Hz	40 μ g/ \sqrt Hz	
Spectral Noise @ 100 Hz	25 μ g/ \sqrt Hz	
Spectral Noise @ 1000 Hz	26 μ g/ \sqrt Hz	
Output Impedance	<100 ohm	
Bias Output Voltage	10-14 VDC	
Case Isolation	> 10^8 ohm	

Specifications	Standard	Metric
Environmental		
Temperature Range	-40° to 250°F	-40° to 121°C
Maximum Shock Protection	5,000 g, peak	
Electromagnetic Sensitivity	CE	
Sealing	Welded, Hermetic	
Submersible Depth (AC964-2C)	200 ft.	61 m
Physical		
Sensing Element	PZT Ceramic	
Sensing Structure	Shear Mode	
Weight	5.3 oz	151 grams
Case Material	316L Stainless Steel	
Mounting	1/4-28	
Connector (non-integral)	2 Pin MIL-C-5015	
Resonant Frequency	1,200,000 CPM	20000 Hz
Mounting Torque	2 to 5 ft. lbs.	2,7 to 6,8 Nm
Mounting Hardware	1/4-28 Captive Bolt	M6x1 Captive Bolt
Calibration Certificate	CA10	

Ordering Information

Standard	AC964-1A (1/4-28 Captive Bolt)	AC964-2C - / [] - [] (1/4-28 Captive Bolt) (length in feet) (termination)	AC964-3C - / [] - [] - [] (1/4-28 Captive Bolt) (armor length in feet) (cable length in feet) (termination)
Metric	M/AC964-1A (M6x1 Captive Bolt)	M/AC964-2C - / [] - [] (M6x1 Captive Bolt) (length in feet) (termination)	M/AC964-3C - / [] - [] - [] (M6x1 Captive Bolt) (armor length in feet) (cable length in feet) (termination)
		[] M - [] (length in meters) (termination)	[] M - [] (armor length in meters) (cable length in meters) (termination)

Read Before Purchasing
 Important information on
Regulatory Approvals and Requirements
 on Page 75

Cable Termination Options: L Z

Backed by our Unconditional Lifetime Warranty

www.ctconline.com

