

# AC961 Series

Low Capacitance, IEC Certified (IECEx), Intrinsically Safe Accelerometer, Top Exit Connector / Cable, 10 mV/g

AC961 Series



Actual Product Size Shown



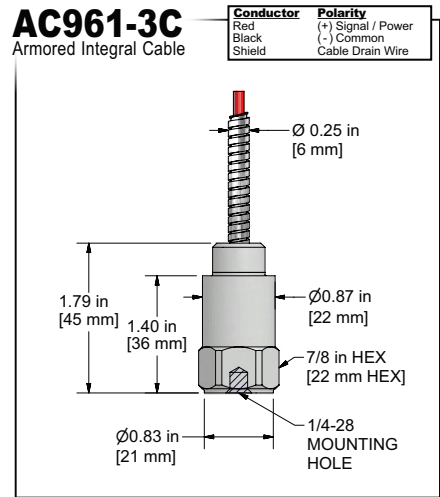
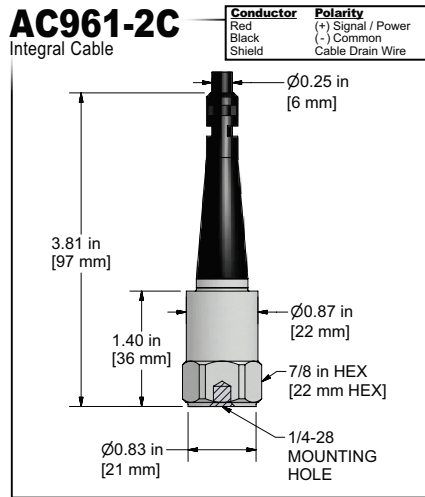
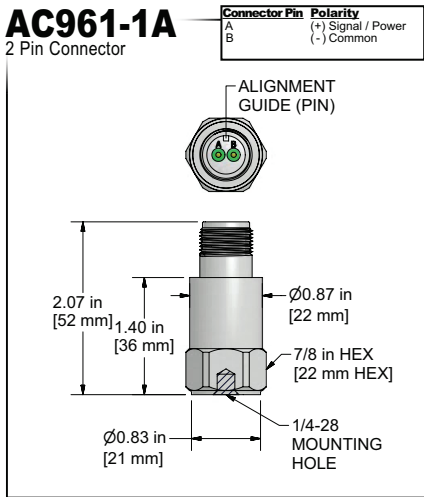
Requires **Intrinsically Safe Barrier**

## Product Features

### IECEx Approvals

Helps to Detect Bearing Defects and Other High Frequency Faults

- 1,2 - 15000 Hz (72-900,000 CPM) Frequency Response
- 10 mV/g Sensitivity  $\pm 10\%$
- Requires Intrinsic Safety Barrier (see page 228)



Specifications	Standard	Metric
Part Number	AC961	M/AC961
Sensitivity ( $\pm 10\%$ )	10 mV/g	
Frequency Response ( $\pm 3\text{dB}$ )	72-900,000 CPM	1,2-15000 Hz
Frequency Response ( $\pm 10\%$ )	150-360,000 CPM	2,5-6000 Hz
Dynamic Range	$\pm 500$ g, peak	
<b>Electrical</b>		
Settling Time	<3 Seconds	
Voltage Source	18-28 VDC	
Constant Current Excitation	2-4 mA	
Spectral Noise @ 10 Hz	500 $\mu\text{g}/\sqrt{\text{Hz}}$	
Spectral Noise @ 100 Hz	65 $\mu\text{g}/\sqrt{\text{Hz}}$	
Spectral Noise @ 1000 Hz	11 $\mu\text{g}/\sqrt{\text{Hz}}$	
Output Impedance	<100 ohm	
Bias Output Voltage	10-14 VDC	
Case Isolation	>10 <sup>8</sup> ohm	

Specifications	Standard	Metric
<b>Environmental</b>		
Temperature Range	-40° to 250°F	-40° to 121°C
Maximum Shock Protection	5,000 g, peak	
Electromagnetic Sensitivity	CE	
Sealing	Welded, Hermetic	
Submersible Depth (AC961-2C)	200 ft.	61 m
<b>Physical</b>		
Sensing Element	PZT Ceramic	
Sensing Structure	Shear Mode	
Weight	3.2 oz	91 grams
Case Material	316L Stainless Steel	
Mounting	1/4-28	
Connector (non-integral)	2 Pin MIL-C-5015	
Resonant Frequency	1,380,000 CPM	23000 Hz
Mounting Torque	2 to 5 ft. lbs.	2,7 to 6,8 Nm
Mounting Hardware	1/4-28 Stud	M6x1 Adapter Stud
Calibration Certificate	CA10	

## Ordering Information

Standard	AC961-1A (1/4-28 Stud)	AC961-2C (1/4-28 Stud)	- / <input type="text"/> - <input type="text"/> (length in feet) (termination)	AC961-3C (1/4-28 Stud)	- / <input type="text"/> - <input type="text"/> - <input type="text"/> (armor length in feet) (cable length in feet) (termination)
Metric	M/AC961-1A (M6x1 Adapter Stud)	M/AC961-2C (M6x1 Adapter Stud)	- / <input type="text"/> - <input type="text"/> (length in feet) (termination)	M/AC961-3C (M6x1 Adapter Stud)	- / <input type="text"/> - <input type="text"/> - <input type="text"/> (armor length in feet) (cable length in feet) (termination)
			<input type="text"/> M - <input type="text"/> (length in meters) (termination)		<input type="text"/> M - <input type="text"/> M - <input type="text"/> (armor length in meters) (cable length in meters) (termination)



**Read Before Purchasing**  
Important information on  
**Regulatory Approvals** and  
**Requirements**  
on Page 75

Cable Termination Options: L Z



Backed by our Unconditional Lifetime Warranty

[www.ctconline.com](http://www.ctconline.com)



VIBRATION ANALYSIS HARDWARE

- LEFT CLICK & DRAG TO ROTATE MODEL
- RIGHT CLICK & DRAG TO ZOOM
- HOLD BOTH MOUSE BUTTONS TO PAN



3D DATA SHEET

2 Pin Connector

Integral Cable

Armored Integral Cable



ADOBE® READER® 9.3 RECOMMENDED (Adobe® Reader® 8 Required)

CLICK TO DOWNLOAD!

CLICK HERE FOR HELP

BACK TO MAIN DATA SHEET

