

AC954 Series

IEC Certified (IECEX), Intrinsically Safe Accelerometer,
Side Exit Connector / Cable, 50 mV/g

SECTION I - ACCELEROMETERS
AC954 Series

Requires **Intrinsically Safe Barrier**

Product Features

IECEX Approvals

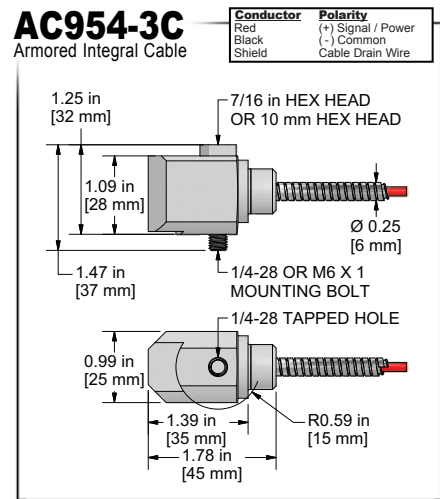
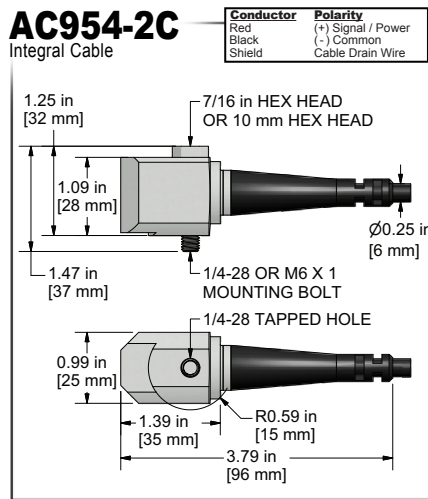
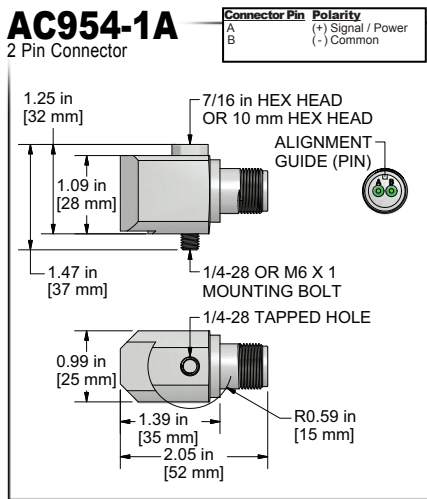
Excellent for Higher g Applications



- $\pm 100g$ Dynamic Range
- 50 mV/g Sensitivity $\pm 10\%$
- Requires Intrinsic Safety Barrier (see page 206)

IECEX

Actual Product
Size Shown



Specifications	Standard	Metric
Part Number	AC954	M/AC954
Sensitivity ($\pm 10\%$)	50 mV/g	
Frequency Response ($\pm 3dB$)	60-600,000 CPM	1,0-10000 Hz
Frequency Response ($\pm 10\%$)	90-300,000 CPM	1,5-5000 Hz
Dynamic Range	± 100 g, peak	
Electrical		
Settling Time	<3 Seconds	
Voltage Source	18-28 VDC	
Constant Current Excitation	2-4 mA	
Spectral Noise @ 10 Hz	9 μ g/ \sqrt{Hz}	
Spectral Noise @ 100 Hz	2 μ g/ \sqrt{Hz}	
Spectral Noise @ 1000 Hz	1.6 μ g/ \sqrt{Hz}	
Output Impedance	<100 ohm	
Bias Output Voltage	10-14 VDC	
Case Isolation	>10 ⁸ ohm	

Specifications	Standard	Metric
Environmental		
Temperature Range	-58 to 250°F	-50 to 121°C
Maximum Shock Protection	5,000 g, peak	
Electromagnetic Sensitivity	CE	
Sealing	Welded, Hermetic	
Submersible Depth (AC954-2C)	200 ft.	61 m
Physical		
Sensing Element	PZT Ceramic	
Sensing Structure	Shear Mode	
Weight	5.3 oz	150 grams
Case Material	316L Stainless Steel	
Mounting	1/4-28	
Connector (non-integral)	2 Pin MIL-C-5015	
Resonant Frequency	1,320,000 CPM	22000 Hz
Mounting Torque	2 to 5 ft. lbs.	2,7 to 6,8 Nm
Mounting Hardware	1/4-28 Captive Bolt	M6x1 Captive Bolt
Calibration Certificate	CA10	

Ordering Information

Standard	AC954-1A (1/4-28 Captive Bolt)	AC954-2C - / [] - [] (1/4-28 Captive Bolt) (length in feet) (termination)	AC954-3C - / [] - [] - [] (1/4-28 Captive Bolt) (armor length in feet) (cable length in feet) (termination)
Metric	M/AC954-1A (M6x1 Captive Bolt)	M/AC954-2C - / [] - [] (M6x1 Captive Bolt) (length in feet) (termination)	M/AC954-3C - / [] - [] - [] (M6x1 Captive Bolt) (armor length in feet) (cable length in feet) (termination)
		[] [] M - [] (length in meters) (termination)	[] [] M - [] (armor length in meters) (cable length in meters) (termination)



Cable Termination Options: L Z

Backed by our Unconditional Lifetime Warranty

www.ctconline.com

