

AC951 Series

IEC Certified (IECEX), Intrinsically Safe Accelerometer,
Top Exit Connector / Cable, 10 mV/g

SECTION I - ACCELEROMETERS
AC951 Series



Actual Product Size Shown

IECEX

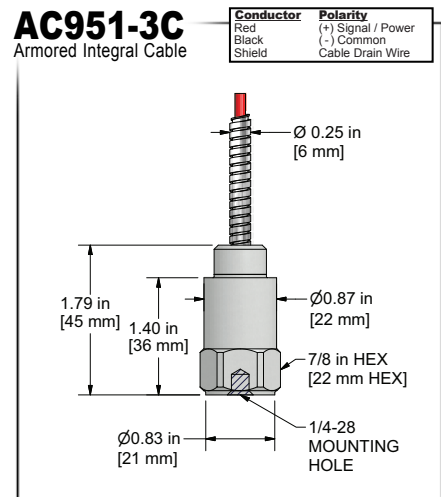
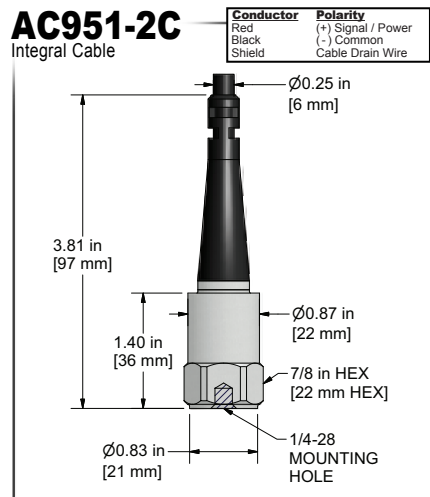
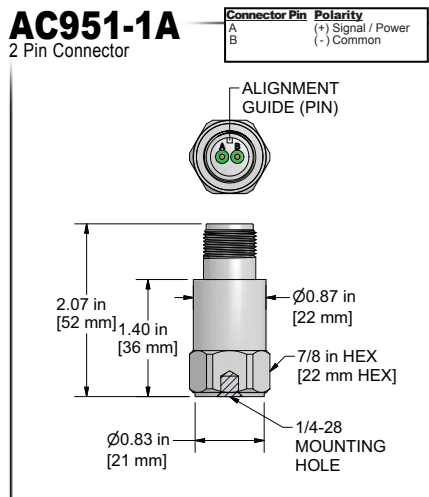
Requires **Intrinsically Safe Barrier**

Product Features

IECEX Approvals

Helps to Detect Bearing Defects and Other High Frequency Faults

- 1,2 - 15000 Hz (72-900,000 CPM) Frequency Response
- 10 mV/g Sensitivity $\pm 10\%$
- Requires Intrinsic Safety Barrier (see page 206)



Specifications	Standard	Metric
Part Number	AC951	M/AC951
Sensitivity ($\pm 10\%$)	10 mV/g	
Frequency Response ($\pm 3\text{dB}$)	72-900,000 CPM	1,2-15000 Hz
Frequency Response ($\pm 10\%$)	150-360,000 CPM	2,5-6000 Hz
Dynamic Range	± 500 g, peak	
Electrical		
Settling Time	<3 Seconds	
Voltage Source	18-28 VDC	
Constant Current Excitation	2-4 mA	
Spectral Noise @ 10 Hz	500 $\mu\text{g}/\sqrt{\text{Hz}}$	
Spectral Noise @ 100 Hz	65 $\mu\text{g}/\sqrt{\text{Hz}}$	
Spectral Noise @ 1000 Hz	11 $\mu\text{g}/\sqrt{\text{Hz}}$	
Output Impedance	<100 ohm	
Bias Output Voltage	10-14 VDC	
Case Isolation	>10 ⁸ ohm	

Specifications	Standard	Metric
Environmental		
Temperature Range	-58 to 250°F	-50 to 121°C
Maximum Shock Protection	5,000 g, peak	
Electromagnetic Sensitivity	CE	
Sealing	Welded, Hermetic	
Submersible Depth (AC951-2C)	200 ft.	61 m
Physical		
Sensing Element	PZT Ceramic	
Sensing Structure	Shear Mode	
Weight	3.2 oz	90 grams
Case Material	316L Stainless Steel	
Mounting	1/4-28	
Connector (non-integral)	2 Pin MIL-C-5015	
Resonant Frequency	1,380,000 CPM	23000 Hz
Mounting Torque	2 to 5 ft. lbs.	2,7 to 6,8 Nm
Mounting Hardware	1/4-28 Stud	M6x1 Adapter Stud
Calibration Certificate	CA10	

Ordering Information

Standard	AC951-1A (1/4-28 Stud)	AC951-2C (1/4-28 Stud)	- / [] - [] (length in feet) (termination)	AC951-3C (1/4-28 Stud)	- / [] - [] - [] (armor length in feet) (cable length in feet) (termination)
Metric	M/AC951-1A (M6x1 Adapter Stud)	M/AC951-2C (M6x1 Adapter Stud)	- / [] - [] (length in feet) (termination)	M/AC951-3C (M6x1 Adapter Stud)	- / [] - [] - [] (armor length in feet) (cable length in feet) (termination)
			[] M - [] (length in meters) (termination)		[] M - [] (armor length in meters) (cable length in meters) (termination)

Read Before Purchasing
Important information on
Regulatory Approvals and Requirements
on Page 55

Cable Termination Options: **L** **Z**

Backed by our Unconditional Lifetime Warranty

www.ctconline.com





VIBRATION ANALYSIS HARDWARE

- LEFT CLICK & DRAG TO ROTATE MODEL
- RIGHT CLICK & DRAG TO ZOOM
- HOLD BOTH MOUSE BUTTONS TO PAN



2 Pin Connector

Integral Cable

Armored Integral Cable

2 Pin Connector

Integral Cable

Armored Integral Cable



ADOBE®
READER® 9.3
RECOMMENDED
(Adobe® Reader® 8 Required)

CLICK TO DOWNLOAD!

CLICK HERE FOR HELP

BACK TO MAIN
DATA SHEET



CLICK HERE FOR HELP