

AC935 Series

Low Capacitance, Class I, Division 2 / Zone 2 Accelerometer, For Use In "Non-Arcing, Non-Sparking" Environments, Top Exit Connector, 100 mV/g

AC935 Series



Actual Product Size Shown



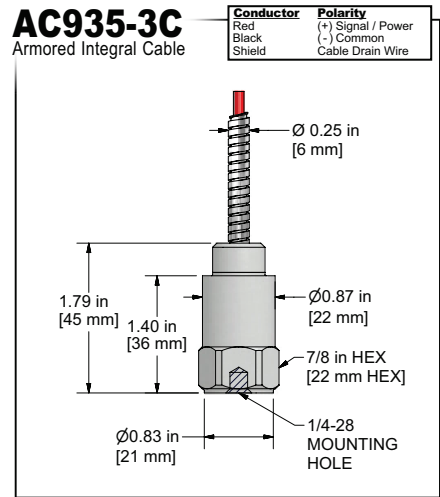
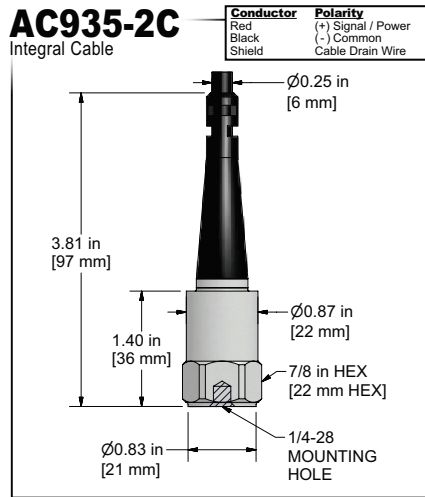
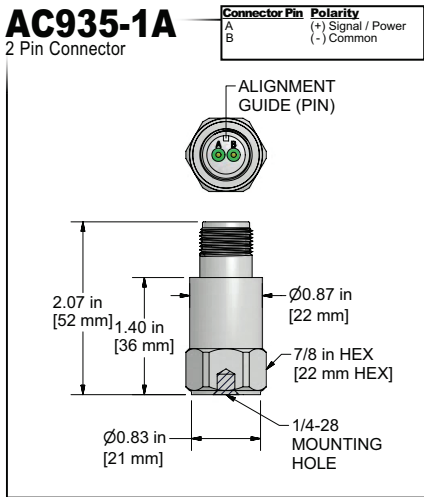
Must Use "Class I, Division 2" CB190 Cable and D2Q Connectors

Product Features

Class I, Division 2 / Zone 2 Rating

Excellent for Higher g Applications

- ±50 g, Dynamic Range
- 100 mV/g, ±10% Sensitivity
- 0,5-15000 Hz (30-900,000 CPM) Frequency Response



Specifications	Standard	Metric
Part Number	AC935	M/AC935
Sensitivity (±10%)	100 mV/g	
Frequency Response (±3dB)	30-900,000 CPM	0,5-15000 Hz
Frequency Response (±10%)	60-600,000 CPM	1,0-10000 Hz
Dynamic Range	± 50 g, peak	
Electrical		
Settling Time	<3 Seconds	
Voltage Source	18-28 VDC	
Constant Current Excitation	2-4 mA	
Spectral Noise @ 10 Hz	40 µg/√Hz	
Spectral Noise @ 100 Hz	25 µg/√Hz	
Spectral Noise @ 1000 Hz	26 µg/√Hz	
Output Impedance	<100 ohm	
Bias Output Voltage	10-14 VDC	
Case Isolation	>10 ⁸ ohm	

Specifications	Standard	Metric
Environmental		
Temperature Range	-40° to 250°F	-40° to 121°C
Maximum Shock Protection	5,000 g, peak	
Electromagnetic Sensitivity	CE	
Sealing	Welded, Hermetic	
Physical		
Sensing Element	PZT Ceramic	
Sensing Structure	Shear Mode	
Weight	3.2 oz	91 grams
Case Material	316L Stainless Steel	
Mounting	1/4-28	
Connector (non-integral)	2 Pin MIL-C-5015	
Resonant Frequency	1,380,000 CPM	23000 Hz
Mounting Torque	2 to 5 ft. lbs.	2,7 to 6,8 Nm
Mounting Hardware	1/4-28 Stud	M6x1 Adapter Stud
Calibration Certificate	CA10	

Ordering Information

Standard	AC935-1A (1/4-28 Stud)	AC935-2C (1/4-28 Stud)	- / [] - [] (length in feet) (termination)	AC935-3C (1/4-28 Stud)	- / [] - [] - [] (armor length in feet) (cable length in feet) (termination)
Metric	M/AC935-1A (M6x1 Adapter Stud)	M/AC935-2C (M6x1 Adapter Stud)	- / [] - [] (length in feet) (termination)	M/AC935-3C (M6x1 Adapter Stud)	- / [] - [] - [] (armor length in feet) (cable length in feet) (termination)
			[] M - [] (length in meters) (termination)		[] M - [] (armor length in meters) (cable length in meters) (termination)



Read Before Purchasing
Important information on
Regulatory Approvals and
Requirements
on Page 62

Cable Termination Options: L Z

Backed by our Unconditional Lifetime Warranty

www.ctconline.com





VIBRATION ANALYSIS HARDWARE

- LEFT CLICK & DRAG TO ROTATE MODEL
- RIGHT CLICK & DRAG TO ZOOM
- HOLD BOTH MOUSE BUTTONS TO PAN



3D
DATA SHEET

2 Pin Connector

Integral Cable

Armored Integral Cable



ADOBE®
READER® 9.3
RECOMMENDED
(Adobe® Reader® 8 Required)

[CLICK TO DOWNLOAD!](#)

[CLICK HERE FOR HELP](#)

[BACK TO MAIN DATA SHEET](#)

