

AC934 Series

Low Capacitance, Class I, Division 2 / Zone 2 Accelerometer, For Use In "Non-Arcing, Non-Sparking" Environments, Side Exit Connector, 50 mV/g

AC934 Series



Actual Product Size Shown



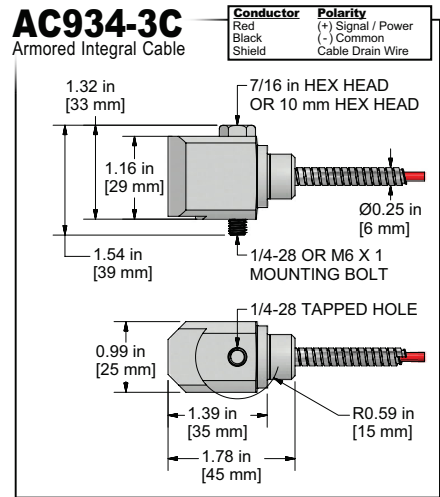
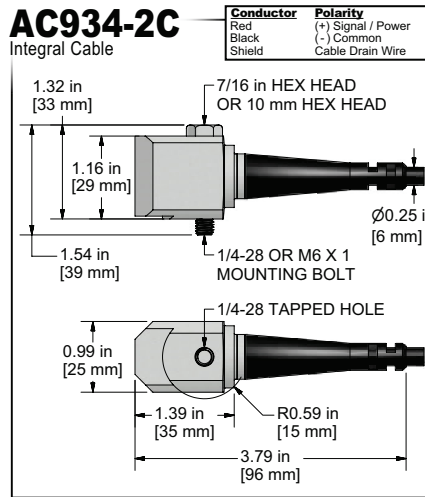
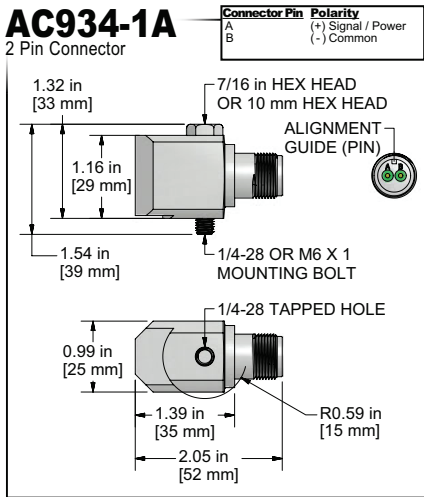
Must Use "Class I, Division 2" CB190 Cable and D2Q Connectors

Product Features

Class I, Division 2 / Zone 2 Rating

Excellent for Higher g Applications

- ± 100 g, Dynamic Range
- 50 mV/g, $\pm 10\%$ Sensitivity
- 1,0-10000 Hz (60-600,000 CPM)



Specifications	Standard	Metric
Part Number	AC934	M/AC934
Sensitivity ($\pm 10\%$)	50 mV/g	
Frequency Response (± 3 dB)	60-516,000 CPM	1,0-8600 Hz
Frequency Response ($\pm 10\%$)	90-300,000 CPM	1,5-5000 Hz
Dynamic Range	± 100 g, peak	
Electrical		
Settling Time	<3 Seconds	
Voltage Source	18-28 VDC	
Constant Current Excitation	2-4 mA	
Spectral Noise @ 10 Hz	40 μ g/ \sqrt Hz	
Spectral Noise @ 100 Hz	25 μ g/ \sqrt Hz	
Spectral Noise @ 1000 Hz	26 μ g/ \sqrt Hz	
Output Impedance	<100 ohm	
Bias Output Voltage	10-14 VDC	
Case Isolation	>10 ⁸ ohm	

Specifications	Standard	Metric
Environmental		
Temperature Range	-40° to 250°F	-40° to 121°C
Maximum Shock Protection	5,000 g, peak	
Electromagnetic Sensitivity	CE	
Sealing	Welded, Hermetic	
Physical		
Sensing Element	PZT Ceramic	
Sensing Structure	Shear Mode	
Weight	5.3 oz	151 grams
Case Material	316L Stainless Steel	
Mounting	1/4-28	
Connector (non-integral)	2 Pin MIL-C-5015	
Resonant Frequency	1,200,000 CPM	20000 Hz
Mounting Torque	2 to 5 ft. lbs.	2,7 to 6,8 Nm
Mounting Hardware	1/4-28 Captive Bolt	M6x1 Captive Bolt
Calibration Certificate	CA10	

Ordering Information

Standard	AC934-1A (1/4-28 Captive Bolt)	AC934-2C - / <input type="text"/> - <input type="text"/> (1/4-28 Captive Bolt) (length in feet) (termination)	AC934-3C - / <input type="text"/> - <input type="text"/> - <input type="text"/> (1/4-28 Captive Bolt) (armor length in feet) (cable length in feet) (termination)
Metric	M/AC934-1A (M6x1 Captive Bolt)	M/AC934-2C - / <input type="text"/> - <input type="text"/> (M6x1 Captive Bolt) (length in feet) (termination)	M/AC934-3C - / <input type="text"/> - <input type="text"/> - <input type="text"/> (M6x1 Captive Bolt) (armor length in feet) (cable length in feet) (termination)
		<input type="text"/> M - <input type="text"/> (length in meters) (termination)	<input type="text"/> M - <input type="text"/> M - <input type="text"/> (armor length in meters) (cable length in meters) (termination)

Read Before Purchasing
Important information on Regulatory Approvals and Requirements on Page 62



VIBRATION ANALYSIS HARDWARE

Backed by our Unconditional Lifetime Warranty



VIBRATION ANALYSIS HARDWARE

- LEFT CLICK & DRAG TO ROTATE MODEL
- RIGHT CLICK & DRAG TO ZOOM
- HOLD BOTH MOUSE BUTTONS TO PAN



2 Pin Connector

Integral Cable

Armored Integral Cable



ADOBE®
READER® 9.3
RECOMMENDED
(Adobe® Reader® 8 Required)

[CLICK TO DOWNLOAD!](#)

[CLICK HERE FOR HELP](#)

[BACK TO MAIN DATA SHEET](#)

