

AC931 Series

Low Capacitance, Class I, Division 2 / Zone 2 Accelerometer, For Use In "Non-Arcing, Non-Sparking" Environments, Top Exit Connector, 10 mV/g



Actual Product Size Shown



Must Use "Class I, Division 2"
CB190 Cable and D2Q Connectors

Product Features

Class I, Division 2 / Zone 2 Rating

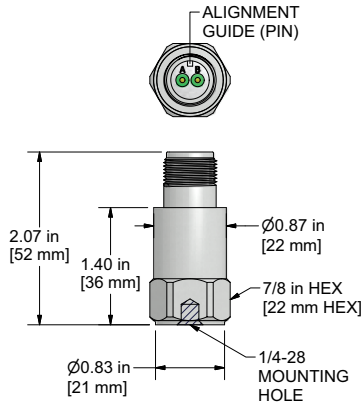
Helps to Detect Bearing Defects and Other High Frequency Faults

- 10 mV/g Sensitivity
- 1,2 - 15000 Hz (72-900,000 CPM) Frequency Response
- ±500 g, Dynamic Range

AC931-1A

2 Pin Connector

Connector Pin	Polarity
A	(+) Signal / Power
B	(-) Common



Specifications	Standard	Metric
Part Number	AC931	M/AC931
Sensitivity (±10%)	10 mV/g	
Frequency Response (±3dB)	72-900,000 CPM	1,2-15000 Hz
Frequency Response (±10%)	150-360,000 CPM	2,5-6000 Hz
Dynamic Range	± 500 g, peak	
Electrical		
Settling Time	<3 Seconds	
Voltage Source	18-30 VDC	
Constant Current Excitation	2-4 mA	
Spectral Noise @ 10 Hz	500 µg/√Hz	
Spectral Noise @ 100 Hz	65 µg/√Hz	
Spectral Noise @ 1000 Hz	11 µg/√Hz	
Output Impedance	<100 ohm	
Bias Output Voltage	10-14 VDC	
Case Isolation	>10 ⁹ ohm	

Specifications	Standard	Metric
Environmental		
Temperature Range	-40° to 250°F	-40° to 121°C
Maximum Shock Protection	5,000 g, peak	
Electromagnetic Sensitivity	CE	
Sealing	Welded, Hermetic	
Physical		
Sensing Element	PZT Ceramic	
Sensing Structure	Shear Mode	
Weight	3.2 oz	90 grams
Case Material	316L Stainless Steel	
Mounting	1/4-28	
Connector (non-integral)	2 Pin MIL-C-5015	
Resonant Frequency	1,380,000 CPM	23000 Hz
Mounting Torque	2 to 5 ft. lbs.	2,7 to 6,8 Nm
Mounting Hardware	1/4-28 Stud	M6x1 Adapter Stud
Calibration Certificate	CA10	

Ordering Information

Standard	AC931-1A (1/4-28 Stud)
Metric	M/AC931-1A (M6x1 Adapter Stud)

Read Before Purchasing
Important information on
Regulatory Approvals and Requirements
on Page 42



Backed by our Unconditional Lifetime Warranty