

AC925 Series

Class I, Division 2 / Zone 2 Accelerometer, For Use In "Non-Arcing, Non-Sparking" Environments, Top Exit Connector, 100 mV/g

SECTION I - ACCELEROMETERS
AC925 Series



Actual Product Size Shown

Must Use "Class I, Division 2" CB190 Cable and D2Q Connectors
Product Features

Class I, Division 2 / Zone 2 Rating

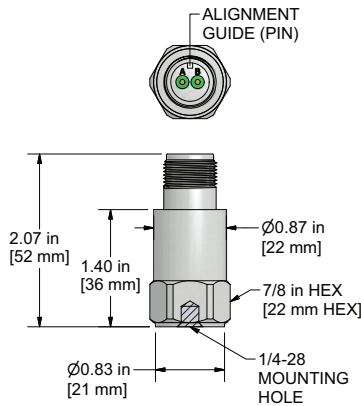
Excellent for Higher g Applications

- ± 50 g, Dynamic Range
- 100 mV/g, $\pm 10\%$ Sensitivity
- 0,5-15000 Frequency Response

AC925-1A

2 Pin Connector

Connector Pin	Polarity
A	(+) Signal / Power
B	(-) Common



Specifications	Standard	Metric
Part Number	AC925	M/AC925
Sensitivity ($\pm 10\%$)		100 mV/g
Frequency Response (± 3 dB)	30-900,000 CPM	0,5-15000 Hz
Frequency Response ($\pm 10\%$)	60-600,000 CPM	1,0-10000 Hz
Dynamic Range		± 50 g, peak
Electrical		
Settling Time		<3 Seconds
Voltage Source		18-28 VDC
Constant Current Excitation		2-4 mA
Spectral Noise @ 10 Hz		6.5 $\mu\text{g}/\sqrt{\text{Hz}}$
Spectral Noise @ 100 Hz		2 $\mu\text{g}/\sqrt{\text{Hz}}$
Spectral Noise @ 1000 Hz		1.8 $\mu\text{g}/\sqrt{\text{Hz}}$
Output Impedance		<100 ohm
Bias Output Voltage		10-14 VDC
Case Isolation		>10 ⁸ ohm

Specifications	Standard	Metric
Environmental		
Temperature Range	-58 to 250°F	-50 to 121°C
Maximum Shock Protection		5,000 g, peak
Electromagnetic Sensitivity		CE
Sealing		Welded, Hermetic
Physical		
Sensing Element		PZT Ceramic
Sensing Structure		Shear Mode
Weight	3.2 oz	90 grams
Case Material		316L Stainless Steel
Mounting		1/4-28
Connector (non-integral)		2 Pin MIL-C-5015
Resonant Frequency	1,380,000 CPM	23000 Hz
Mounting Torque	2 to 5 ft. lbs.	2,7 to 6,8 Nm
Mounting Hardware	1/4-28 Stud	M6x1 Adapter Stud
Calibration Certificate		CA10

Ordering Information

Standard	AC925-1A (1/4-28 Stud)
Metric	M/AC925-1A (M6x1 Adapter Stud)



Backed by our Unconditional Lifetime Warranty

www.ctconline.com

