

AC923 Series

Class I, Division 2 / Zone 2 Accelerometer, For Use In "Non-Arcing, Non-Sparking" Environments, Top Exit Connector, 50 mV/g

SECTION I - ACCELEROMETERS
AC923 Series



Actual Product Size Shown

Must Use "Class I, Division 2" CB190 Cable and D2Q Connectors

Product Features

Class I, Division 2 / Zone 2 Rating

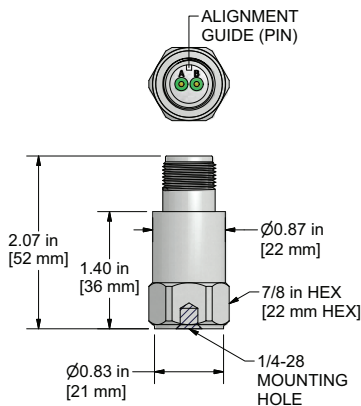
Excellent for Higher g Applications

- ± 100 g, Dynamic Range
- 50 mV/g, $\pm 10\%$ Sensitivity
- 1,0-15000 Hz (60-900,000 CPM)

AC923-1A

2 Pin Connector

Connector Pin	Polarity
A	(+) Signal / Power
B	(-) Common



Specifications	Standard	Metric
Part Number	AC923	M/AC923
Sensitivity ($\pm 10\%$)	50 mV/g	
Frequency Response (± 3 dB)	60-900,000 CPM	1,0-15000 Hz
Frequency Response ($\pm 10\%$)	120-240,000 CPM	2,0-4000 Hz
Dynamic Range	± 100 g, peak	
Electrical		
Settling Time	<3 Seconds	
Voltage Source	18-28 VDC	
Constant Current Excitation	2-4 mA	
Spectral Noise @ 10 Hz	9 μ g/ \sqrt Hz	
Spectral Noise @ 100 Hz	2 μ g/ \sqrt Hz	
Spectral Noise @ 1000 Hz	1.6 μ g/ \sqrt Hz	
Output Impedance	<100 ohm	
Bias Output Voltage	10-14 VDC	
Case Isolation	>10 ⁹ ohm	

Specifications	Standard	Metric
Environmental		
Temperature Range	-58 to 250°F	-50 to 121°C
Maximum Shock Protection	5,000 g, peak	
Electromagnetic Sensitivity	CE	
Sealing	Welded, Hermetic	
Physical		
Sensing Element	PZT Ceramic	
Sensing Structure	Shear Mode	
Weight	3.2 oz	90 grams
Case Material	316L Stainless Steel	
Mounting	1/4-28	
Connector (non-integral)	2 Pin MIL-C-5015	
Resonant Frequency	1,380,000 CPM	23000 Hz
Mounting Torque	2 to 5 ft. lbs.	2,7 to 6,8 Nm
Mounting Hardware	1/4-28 Stud	M6x1 Adapter Stud
Calibration Certificate	CA10	

Ordering Information

Standard	AC923-1A (1/4-28 Stud)
Metric	M/AC923-1A (M6x1 Adapter Stud)

Read Before Purchasing
Important information on
Regulatory Approvals and Requirements
on Page 42

Backed by our Unconditional Lifetime Warranty

www.ctconline.com

