

# AC906 Series

Intrinsically Safe Accelerometer, Side Exit Connector / Cable, 100 mV/g

SECTION I - ACCELEROMETERS AC906 Series



Actual Product Size Shown



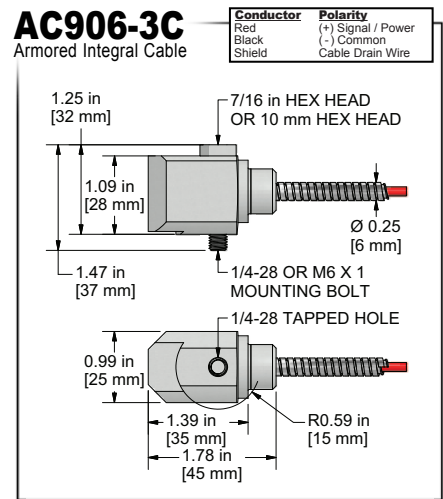
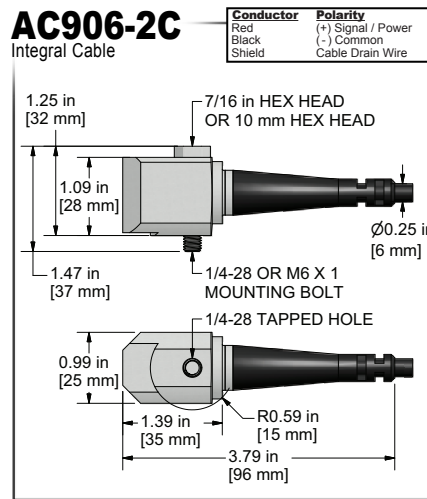
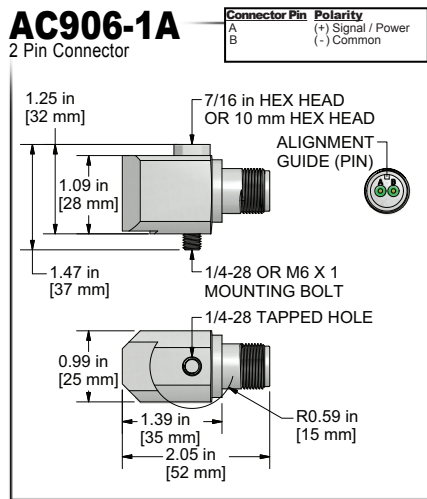
Requires Intrinsically Safe Barrier

## Product Features

**CSA / ATEX Approved**

**Hazardous Location Sensor for ATEX and C1D1 Areas**

- 0,5-8600 Hz (30-516,000 CPM)
- 100 mV/g Sensitivity  $\pm 10\%$
- Requires Intrinsic Safety Barrier (see page 206)



Specifications	Standard	Metric
Part Number	AC906	M/AC906
Sensitivity ( $\pm 10\%$ )	100 mV/g	
Frequency Response ( $\pm 3\text{dB}$ )	30-516,000 CPM	0,5-8600 Hz
Frequency Response ( $\pm 10\%$ )	60-300,000 CPM	1,0-5000 Hz
Dynamic Range	$\pm 50$ g, peak	
<b>Electrical</b>		
Settling Time	<3 Seconds	
Voltage Source	18-28 VDC	
Constant Current Excitation	2-4 mA	
Spectral Noise @ 10 Hz	6.5 $\mu\text{g}/\sqrt{\text{Hz}}$	
Spectral Noise @ 100 Hz	2 $\mu\text{g}/\sqrt{\text{Hz}}$	
Spectral Noise @ 1000 Hz	1.8 $\mu\text{g}/\sqrt{\text{Hz}}$	
Output Impedance	<100 ohm	
Bias Output Voltage	10-14 VDC	
Case Isolation	>10 <sup>8</sup> ohm	

Specifications	Standard	Metric
<b>Environmental</b>		
Temperature Range	-58 to 250°F	-50 to 121°C
Maximum Shock Protection	5,000 g, peak	
Electromagnetic Sensitivity	CE	
Sealing	Welded, Hermetic	
Submersible Depth (AC906-2C)	200 ft.	61 m
<b>Physical</b>		
Sensing Element	PZT Ceramic	
Sensing Structure	Shear Mode	
Weight	5.3 oz	150 grams
Case Material	316L Stainless Steel	
Mounting	1/4-28	
Connector (non-integral)	2 Pin MIL-C-5015	
Resonant Frequency	1,320,000 CPM	22000 Hz
Mounting Torque	2 to 5 ft. lbs.	2,7 to 6,8 Nm
Mounting Hardware	1/4-28 Captive Bolt	M6x1 Captive Bolt
Calibration Certificate	CA10	

## Ordering Information

Standard	AC906-1A (1/4-28 Captive Bolt)	AC906-2C - / [ ] - [ ] (1/4-28 Captive Bolt) (length in feet) (termination)	AC906-3C - / [ ] - [ ] - [ ] - [ ] (1/4-28 Captive Bolt) (armor length in feet) (cable length in feet) (termination)
Metric	M/AC906-1A (M6x1 Captive Bolt)	M/AC906-2C - / [ ] - [ ] (M6x1 Captive Bolt) (length in feet) (termination)	M/AC906-3C - / [ ] - [ ] - [ ] - [ ] (M6x1 Captive Bolt) (armor length in feet) (cable length in feet) (termination)
		[ ] [ ] M - [ ] (length in meters) (termination)	[ ] [ ] M - [ ] [ ] (armor length in meters) (cable length in meters) (termination)

**Read Before Purchasing**  
Important information on  
**Regulatory Approvals and Requirements**  
on Pages 48 & 49

Cable Termination Options: L Z

Backed by our Unconditional Lifetime Warranty

[www.ctconline.com](http://www.ctconline.com)





VIBRATION ANALYSIS HARDWARE

- LEFT CLICK & DRAG TO ROTATE MODEL
- RIGHT CLICK & DRAG TO ZOOM
- HOLD BOTH MOUSE BUTTONS TO PAN



3D DATA SHEET

2 Pin Connector

Integral Cable

Armored Integral Cable



ADOBE® READER® 9.3 RECOMMENDED (Adobe® Reader® 8 Required)

CLICK TO DOWNLOAD!

CLICK HERE FOR HELP

BACK TO MAIN DATA SHEET

