

# AC904 Series

Intrinsically Safe Accelerometer, Side Exit Connector / Cable, 50 mV/g

SECTION I - ACCELEROMETERS  
AC904 Series



Actual Product Size Shown

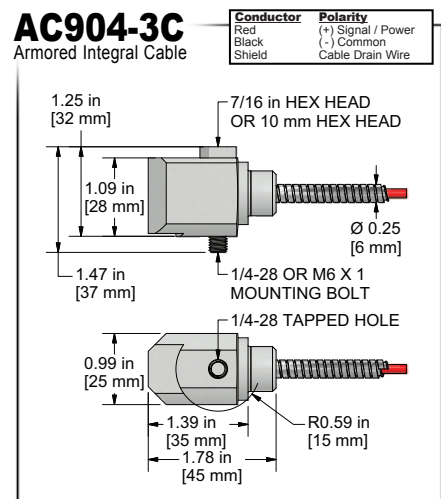
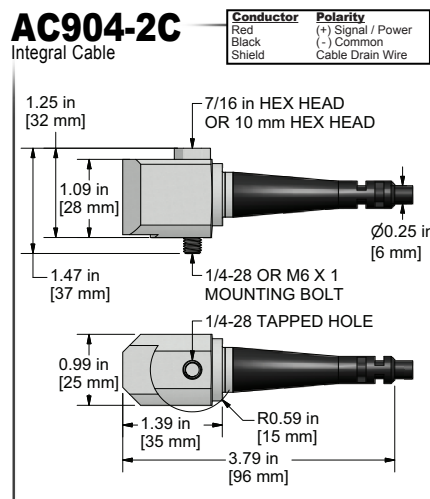
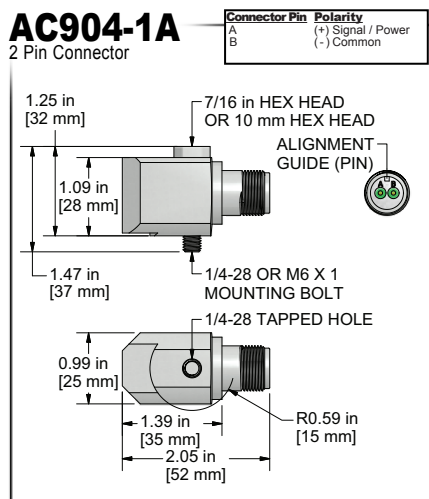
Requires **Intrinsically Safe Barrier**

## Product Features

**CSA / ATEX Approved**

**Excellent for Higher g Applications**

- $\pm 100g$  Peak Dynamic Range
- 50 mV/g Sensitivity  $\pm 10\%$
- Requires Intrinsic Safety Barrier (see page 206)



Specifications	Standard	Metric
Part Number	AC904	M/AC904
Sensitivity ( $\pm 10\%$ )	50 mV/g	
Frequency Response ( $\pm 3dB$ )	60-600,000 CPM	1,0-10000 Hz
Frequency Response ( $\pm 10\%$ )	90-300,000 CPM	1,5-5000 Hz
Dynamic Range	$\pm 100$ g, peak	
<b>Electrical</b>		
Settling Time	<3 Seconds	
Voltage Source	18-28 VDC	
Constant Current Excitation	2-4 mA	
Spectral Noise @ 10 Hz	9 $\mu$ g/ $\sqrt$ Hz	
Spectral Noise @ 100 Hz	2 $\mu$ g/ $\sqrt$ Hz	
Spectral Noise @ 1000 Hz	1.6 $\mu$ g/ $\sqrt$ Hz	
Output Impedance	<100 ohm	
Bias Output Voltage	10-14 VDC	
Case Isolation	>10 <sup>8</sup> ohm	

Specifications	Standard	Metric
<b>Environmental</b>		
Temperature Range	-58 to 250°F	-50 to 121°C
Maximum Shock Protection	5,000 g, peak	
Electromagnetic Sensitivity	CE	
Sealing	Welded, Hermetic	
Submersible Depth (AC904-2C)	200 ft.	61 m
<b>Physical</b>		
Sensing Element	PZT Ceramic	
Sensing Structure	Shear Mode	
Weight	5.3 oz	150 grams
Case Material	316L Stainless Steel	
Mounting	1/4-28	
Connector (non-integral)	2 Pin MIL-C-5015	
Resonant Frequency	1,320,000 CPM	22000 Hz
Mounting Torque	2 to 5 ft. lbs.	2,7 to 6,8 Nm
Mounting Hardware	1/4-28 Captive Bolt	M6x1 Captive Bolt
Calibration Certificate	CA10	

## Ordering Information

Standard	AC904-1A (1/4-28 Captive Bolt)	AC904-2C - / <input type="text"/> - <input type="text"/> (1/4-28 Captive Bolt) (length in feet) (termination)	AC904-3C - / <input type="text"/> - <input type="text"/> - <input type="text"/> (1/4-28 Captive Bolt) (armor length in feet) (cable length in feet) (termination)
Metric	M/AC904-1A (M6x1 Captive Bolt)	M/AC904-2C - / <input type="text"/> - <input type="text"/> (M6x1 Captive Bolt) (length in feet) (termination)	M/AC904-3C - / <input type="text"/> - <input type="text"/> - <input type="text"/> (M6x1 Captive Bolt) (armor length in feet) (cable length in feet) (termination)
		<input type="text"/> M - <input type="text"/> (length in meters) (termination)	<input type="text"/> M - <input type="text"/> (armor length in meters) (cable length in meters) (termination)

**Read Before Purchasing**  
Important information on  
**Regulatory Approvals and Requirements**  
on Pages 48 & 49

Cable Termination Options: **L** **Z**

Backed by our Unconditional Lifetime Warranty

[www.ctconline.com](http://www.ctconline.com)

