

AC903 Series

Intrinsically Safe Accelerometer, Top Exit Connector / Cable, 50 mV/g



Actual Product Size Shown



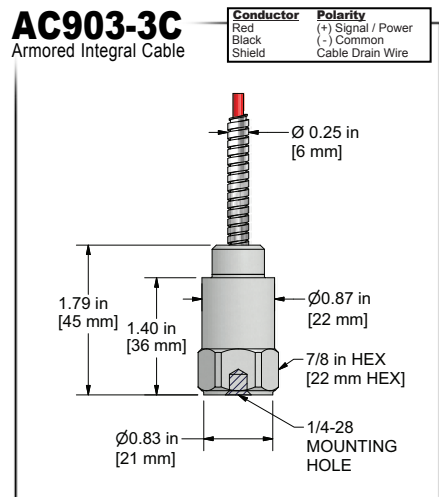
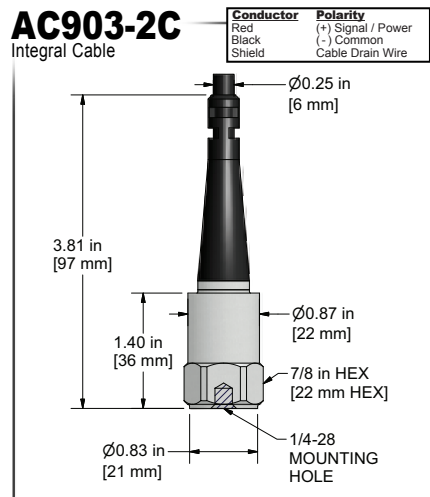
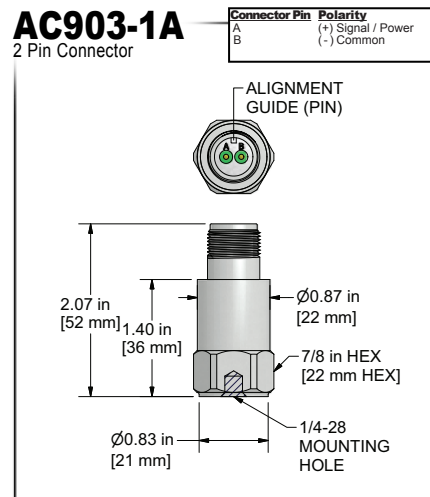
Requires **Intrinsically Safe Barrier**

Product Features

CSA / ATEX Approved

Excellent for Higher g Applications

- 1,0 - 15000 Hz (60-900,000 CPM) Frequency Response
- ±100g Dynamic Range
- Requires Intrinsic Safety Barrier (see page 206)



Specifications	Standard	Metric
Part Number	AC903	M/AC903
Sensitivity (±10%)		50 mV/g
Frequency Response (±3dB)	60-900,000 CPM	1,0-15000 Hz
Frequency Response (±10%)	120-240,000 CPM	2,0-4000 Hz
Dynamic Range		± 100 g, peak
Electrical		
Settling Time		<3 Seconds
Voltage Source		18-28 VDC
Constant Current Excitation		2-4 mA
Spectral Noise @ 10 Hz		9 µg/√Hz
Spectral Noise @ 100 Hz		2 µg/√Hz
Spectral Noise @ 1000 Hz		1.6 µg/√Hz
Output Impedance		<100 ohm
Bias Output Voltage		10-14 VDC
Case Isolation		>10 ⁸ ohm

Specifications	Standard	Metric
Environmental		
Temperature Range	-58 to 250°F	-50 to 121°C
Maximum Shock Protection		5,000 g, peak
Electromagnetic Sensitivity		CE
Sealing		Welded, Hermetic
Submersible Depth (AC903-2C)	200 ft.	61 m
Physical		
Sensing Element		PZT Ceramic
Sensing Structure		Shear Mode
Weight	3.2 oz	90 grams
Case Material		316L Stainless Steel
Mounting		1/4-28
Connector (non-integral)		2 Pin MIL-C-5015
Resonant Frequency	1,380,000 CPM	23000 Hz
Mounting Torque	2 to 5 ft. lbs.	2,7 to 6,8 Nm
Mounting Hardware	1/4-28 Stud	M6x1 Adapter Stud
Calibration Certificate		CA10

Ordering Information

Standard	AC903-1A (1/4-28 Stud)	AC903-2C (1/4-28 Stud)	- / [] - [] (length in feet) (termination)	AC903-3C (1/4-28 Stud)	- / [] - [] - [] (armor length in feet) (cable length in feet) (termination)
Metric	M/AC903-1A (M6x1 Adapter Stud)	M/AC903-2C (M6x1 Adapter Stud)	- / [] - [] (length in feet) (termination)	M/AC903-3C (M6x1 Adapter Stud)	- / [] - [] - [] (armor length in feet) (cable length in feet) (termination)
			[] M - [] (length in meters) (termination)		[] M - [] - [] (armor length in meters) (cable length in meters) (termination)

Read Before Purchasing
Important information on
Regulatory Approvals and Requirements
on Pages 48 & 49

Cable Termination Options: **L** **Z**



VIBRATION ANALYSIS HARDWARE

Backed by our Unconditional Lifetime Warranty



VIBRATION ANALYSIS HARDWARE

- LEFT CLICK & DRAG TO ROTATE MODEL
- RIGHT CLICK & DRAG TO ZOOM
- HOLD BOTH MOUSE BUTTONS TO PAN



3D DATA SHEET

2 Pin Connector

Integral Cable

Armored Integral Cable



ADOBE® READER® 9.3 RECOMMENDED (Adobe® Reader® 8 Required)

CLICK TO DOWNLOAD!

CLICK HERE FOR HELP

BACK TO MAIN DATA SHEET

