

AC294 Series

Compact, High Performance Accelerometer, Side Exit Connector / Cable, 100 mV/g

SECTION 1 ACCELEROMETERS
AC294 Series



Product Features

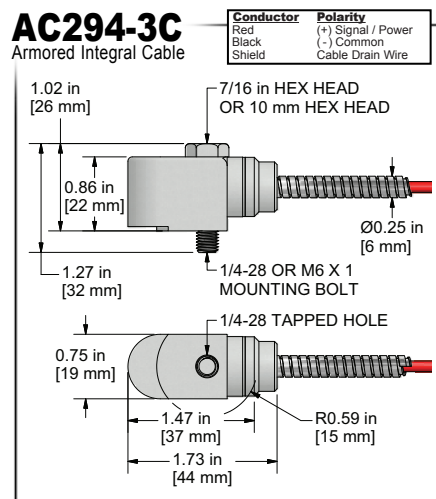
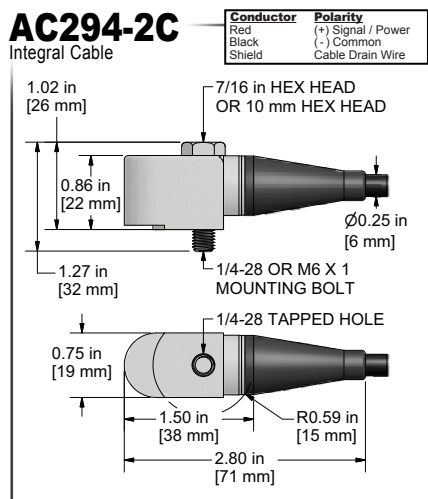
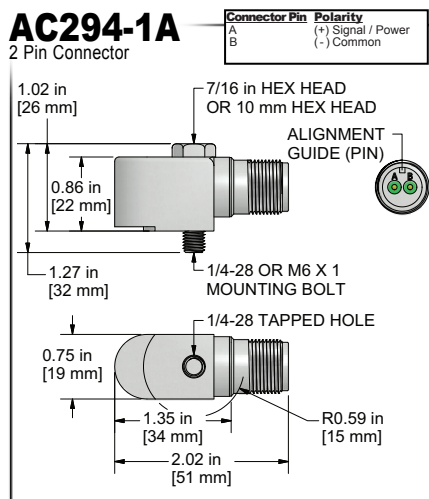
Superior RF Immunity in a Compact 100 mV/g Sensor

Standard 2 Pin MIL Connector

- ± 80 g, Dynamic Range, $\pm 5\%$ Sensitivity
- 10 kHz Frequency Response
- Low Noise



Actual Product Size Shown



Specifications	Standard	Metric
Part Number	AC294	M/AC294
Sensitivity ($\pm 5\%$)	100 mV/g	
Frequency Response (± 3 dB)	18-600,000 CPM	0,3-10000 Hz
Frequency Response ($\pm 10\%$)	60-180,000 CPM	1,0-2500 Hz
Frequency Response ($\pm 5\%$)	600-120,000 CPM	10-2000 Hz
Dynamic Range	± 80 g, peak	
Electrical		
Settling Time	<2 Seconds	
Voltage Source	18-30 VDC	
Constant Current Excitation	2-10 mA	
Spectral Noise @ 10 Hz	8 μ g/√Hz	
Spectral Noise @ 100 Hz	4 μ g/√Hz	
Spectral Noise @ 1000 Hz	2 μ g/√Hz	
Output Impedance	<100 ohm	
Bias Output Voltage	10-14 VDC	
Case Isolation	>10 ⁹ ohm	

Specifications	Standard	Metric
Environmental		
Temperature Range	-58 to 250°F	-50 to 121°C
Maximum Shock Protection	5,000 g, peak	
Electromagnetic Sensitivity	CE	
Sealing	Welded, Hermetic	
Submersible Depth (AC294-2C)	500 ft.	152 m
Physical		
Sensing Element	PZT Ceramic	
Sensing Structure	Shear Mode	
Weight	3.3 oz	93 grams
Case Material	316L Stainless Steel	
Mounting	1/4-28	
Connector (non-integral)	2 Pin MIL-C-5015	
Resonant Frequency	1,380,000 CPM	23000 Hz
Mounting Torque	2 to 5 ft. lbs.	2,7 to 6,8 Nm
Mounting Hardware	1/4-28 Captive Bolt	M6x1 Captive Bolt
Calibration Certificate	CA10	

Ordering Information

Standard	AC294-1A	AC294-2C	AC294-3C
	(1/4-28 Captive Bolt)	(1/4-28 Captive Bolt)	(1/4-28 Captive Bolt)
		- / [] - []	- / [] / [] - []
		(length in feet) (termination)	(armor length in feet) (cable length in feet) (termination)
Metric	M/AC294-1A	M/AC294-2C	M/AC294-3C
	(M6x1 Captive Bolt)	(M6x1 Captive Bolt)	(M6x1 Captive Bolt)
		- / [] - []	- / [] / [] - []
		(length in feet) (termination)	(armor length in feet) (cable length in feet) (termination)
		[] M - []	[] M / [] M - []
		(length in meters) (termination)	(armor length in meters) (cable length in meters) (termination)

Cable Termination Options: **E** **F** **Z**



Backed by our Unconditional Lifetime Warranty