

AC292 Series

Compact, High Performance Accelerometer, Top Exit Connector / Cable, 100 mV/g

SECTION I - ACCELEROMETERS



Actual Product Size Shown

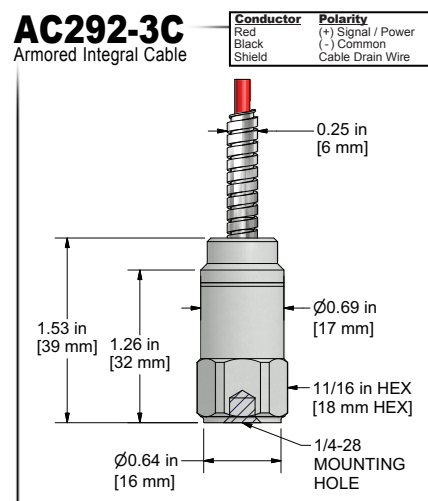
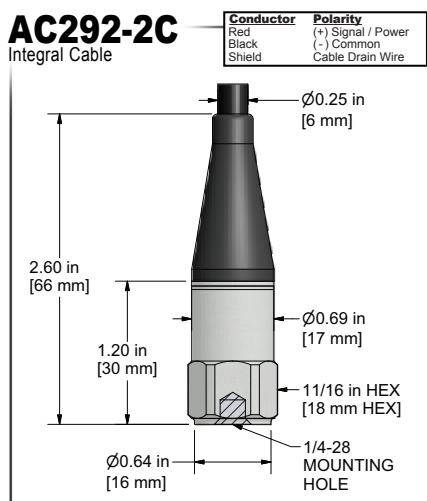
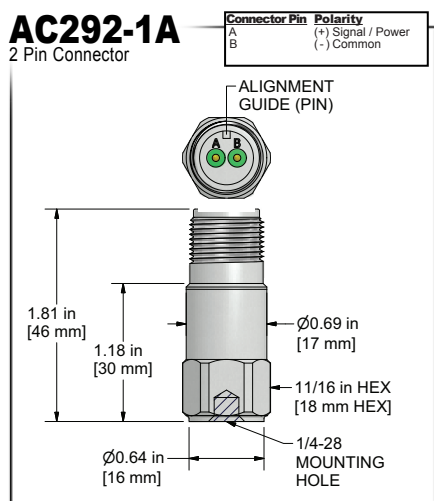


Product Features

Superior RF Immunity in a Compact 100 mV/g Sensor

Standard 2 Pin MIL Connector

- ± 80 g, Dynamic Range, $\pm 5\%$ Sensitivity
- 15 kHz Frequency Response
- Low Noise



Specifications	Standard	Metric
Part Number	AC292	M/AC292
Sensitivity ($\pm 5\%$)	100 mV/g	
Frequency Response (± 3 dB)	18-900,000 CPM	0,3-15000 Hz
Frequency Response ($\pm 10\%$)	60-600,000 CPM	1,0-10000 Hz
Frequency Response ($\pm 5\%$)	600-120,000 CPM	10-2000 Hz
Dynamic Range	± 80 g, peak	
Electrical		
Settling Time	<2 Seconds	
Voltage Source	18-30 VDC	
Constant Current Excitation	2-10 mA	
Spectral Noise @ 10 Hz	8 μ g/√Hz	
Spectral Noise @ 100 Hz	4 μ g/√Hz	
Spectral Noise @ 1000 Hz	2 μ g/√Hz	
Output Impedance	<100 ohm	
Bias Output Voltage	10-14 VDC	
Case Isolation	>10 ⁹ ohm	

Specifications	Standard	Metric
Environmental		
Temperature Range	-58 to 250°F	-50 to 121°C
Maximum Shock Protection	5,000 g, peak	
Electromagnetic Sensitivity	CE	
Sealing	Welded, Hermetic	
Submersible Depth (AC292-2C)	500 ft.	152 m
Physical		
Sensing Element	PZT Ceramic	
Sensing Structure	Shear Mode	
Weight	1.8 oz	51 grams
Case Material	316L Stainless Steel	
Mounting	1/4-28	
Connector (non-integral)	2 Pin MIL-C-5015	
Resonant Frequency	1,560,000 CPM	26000 Hz
Mounting Torque	2 to 5 ft. lbs.	2,7 to 6,8 Nm
Mounting Hardware	1/4-28 Stud	M6x1 Adapter Stud
Calibration Certificate	CA10	

Ordering Information

Standard	AC292-1A (1/4-28 Stud)	AC292-2C (1/4-28 Stud)	- / <input type="text"/> - <input type="text"/> (length in feet) (termination)	AC292-3C (1/4-28 Stud)	- / <input type="text"/> / <input type="text"/> - <input type="text"/> (armor length in feet) (cable length in feet) (termination)
Metric	M/AC292-1A (M6x1 Adapter Stud)	M/AC292-2C (M6x1 Adapter Stud)	- / <input type="text"/> - <input type="text"/> (length in feet) (termination) <input type="text"/> M - <input type="text"/> (length in meters) (termination)	M/AC292-3C (M6x1 Adapter Stud)	- / <input type="text"/> / <input type="text"/> - <input type="text"/> (armor length in feet) (cable length in feet) (termination) <input type="text"/> M / <input type="text"/> M - <input type="text"/> (armor length in meters) (cable length in meters) (termination)

Cable Termination Options: **E** **F** **Z**

Backed by our Unconditional Lifetime Warranty

www.ctonline.com





VIBRATION ANALYSIS HARDWARE

- LEFT CLICK & DRAG TO ROTATE MODEL
- RIGHT CLICK & DRAG TO ZOOM
- HOLD BOTH MOUSE BUTTONS TO PAN



3D DATA SHEET

2 Pin Connector

Integral Cable

Armored Integral Cable



ADOBE® READER® 9.3 RECOMMENDED (Adobe® Reader® 8 Required)

CLICK TO DOWNLOAD!

CLICK HERE FOR HELP

BACK TO MAIN DATA SHEET

