

AC244 Series

Premium Series, mini-MIL Accelerometer, High Frequency, Side Exit Connector / Cable, 100 mV/g

mini-MIL

Must Use J2X Series Connectors



Product Features

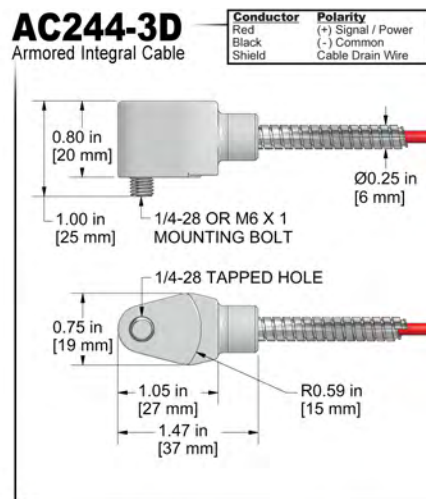
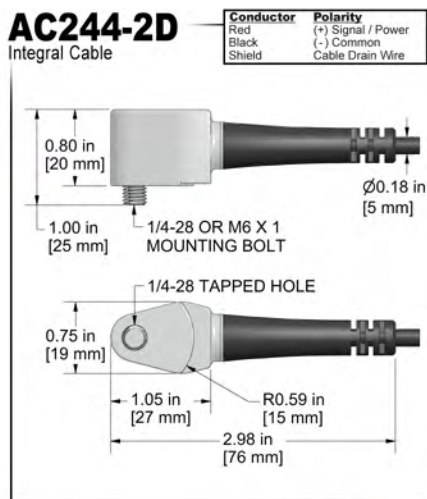
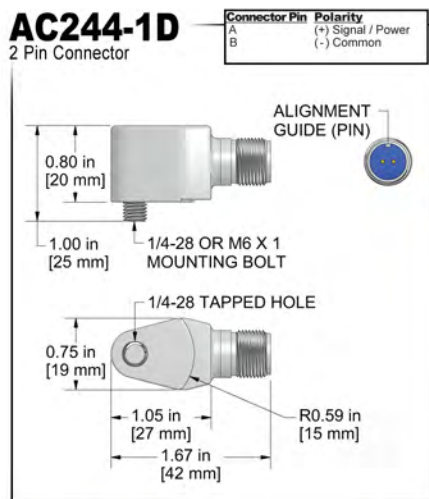
Excellent Small Size, Low Profile Industrial Accelerometer

Premium Accelerometer, Great for Hard to Reach Areas

- 2 Pin Mini-MIL Connection
- Less Than 1 Inch (25 mm) High
- ±5% Sensitivity



Actual Product Size Shown



Specifications	Standard	Metric
Part Number	AC244	M/AC244
Sensitivity (±5%)	100 mV/g	
Frequency Response (±3dB)	36-900,000 CPM	0,6-15000 Hz
Frequency Response (±10%)	60-600,000 CPM	1,0-10000 Hz
Frequency Response (±5%)	120-420,000 CPM	2,0-7000 Hz
Dynamic Range	± 50 g, peak	
Electrical		
Settling Time	<2.5 seconds	
Voltage Source	18-30 VDC	
Constant Current Excitation	2-10 mA	
Spectral Noise @ 10 Hz	30 µg/√Hz	
Spectral Noise @ 100 Hz	4 µg/√Hz	
Spectral Noise @ 1000 Hz	2 µg/√Hz	
Output Impedance	<100 ohm	
Bias Output Voltage	7-14 VDC	
Case Isolation	>10 ⁹ ohm	

Specifications	Standard	Metric
Environmental		
Temperature Range	-58 to 250° F	-50 to 121°C
Maximum Shock Protection	5,000 g, peak	
Electromagnetic Sensitivity	CE	
Sealing	Welded, Hermetic	
Submersible Depth (AC244-2D)	500 ft.	152 m
Physical		
Sensing Element	PZT Ceramic	
Sensing Structure	Shear Mode	
Weight	2.1 oz	60 grams
Case Material	316L Stainless Steel	
Mounting	1/4-28	
Connector (non-integral)	2 Pin mini-MIL	
Resonant Frequency	2,100,000 CPM	35000 Hz
Mounting Torque	2 to 5 ft. lbs.	2,7 to 6,8 Nm
Mounting Hardware	1/4-28 Captive Bolt	M6x1 Captive Bolt
Calibration Certificate	CA10	

Ordering Information

Standard	AC244-1D (1/4-28 Bolt)	AC244-2D - / [] - [] (1/4-28 Bolt) (length in feet) (termination)	AC244-3D - / [] - [] (1/4-28 Bolt) (length in feet) (termination)
Metric	M/AC244-1D (M6x1 Captive Bolt)	M/AC244-2D - / [] - [] (M6x1 Captive Bolt) (length in feet) (termination)	M/AC244-3D - / [] - [] (M6x1 Captive Bolt) (length in feet) (termination)
		[] M - [] (length in meters) (termination)	[] M - [] (length in meters) (termination)

Cable Termination Options: E F Z

