

AC240 Series

Premium Series mini-MIL Accelerometer High Frequency Top Exit Connector / Cable 100 mV/g

mini-MIL

Must Use J2X Series Connectors



Product Features

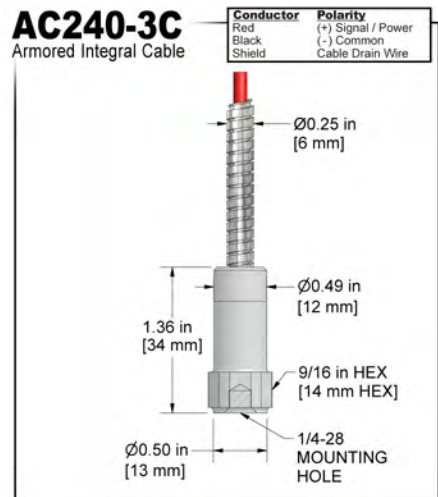
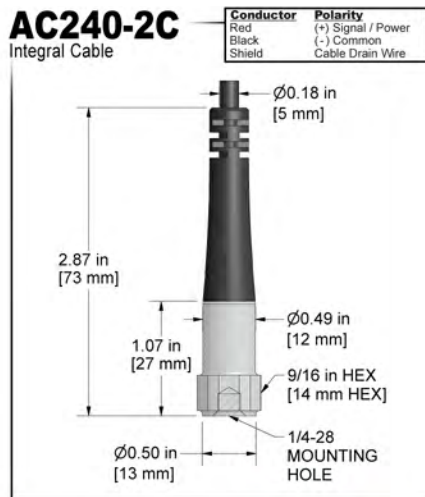
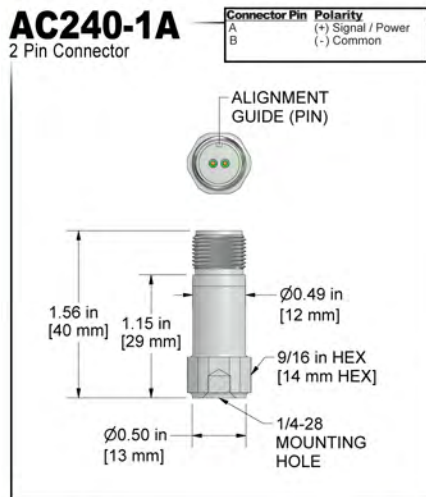
High Performance Sensor for Demanding Applications

High g Dynamic Range with Excellent Frequency Response

- ± 50 g, Dynamic Range
- 34 kHz Resonant Frequency
- $\pm 5\%$ Sensitivity



Actual Product Size Shown



Specifications	Standard	Metric
Part Number	AC240	M/AC240
Sensitivity ($\pm 5\%$)		100 mV/g
Frequency Response (± 3 dB)	36-1,500,000 CPM	0.6-25000Hz
Frequency Response ($\pm 10\%$)	60-420,000 CPM	1,0-7000 Hz
Frequency Response ($\pm 5\%$)	600-150,000 CPM	10-2500 Hz
Dynamic Range		± 50 g, peak
Electrical		
Settling Time		<2.5 Seconds
Voltage Source		18-30 VDC
Constant Current Excitation		2-10 mA
Spectral Noise @ 10 Hz		30 μ g/ \sqrt Hz
Spectral Noise @ 100 Hz		4 μ g/ \sqrt Hz
Spectral Noise @ 1000 Hz		2 μ g/ \sqrt Hz
Output Impedance		<100 ohm
Bias Output Voltage		7-14 VDC
Case Isolation		>10 ⁹ ohm

Specifications	Standard	Metric
Environmental		
Temperature Range	-58 to 250° F	-50 to 121°C
Maximum Shock Protection		5,000 g, peak
Electromagnetic Sensitivity		CE
Sealing		Welded, Hermetic
Submersible Depth (AC240-2C)	500 ft.	152 m
Physical		
Sensing Element		PZT Ceramic
Sensing Structure		Shear Mode
Weight	0.7 oz	20 grams
Case Material		316L Stainless Steel
Mounting		1/4-28
Connector (non-integral)		2 Pin mini-MIL
Resonant Frequency	2,040,000 CPM	34000 Hz
Mounting Torque	2 to 5 ft. lbs.	2,7 to 6,8 Nm
Mounting Hardware	1/4-28 Stud	M6x1 Adapter Stud
Calibration Certificate		CA10

Ordering Information

Standard	AC240-1A (1/4-28 Stud)	AC240-2C - / [] [] [] - [] (1/4-28 Stud) (length in feet) (termination)	AC240-3C - / [] [] [] - [] (1/4-28 Stud) (length in feet) (termination)
Metric	M/AC240-1A (M6x1 Adapter Stud)	M/AC240-2C - / [] [] [] - [] (M6x1 Adapter Stud) (length in feet) (termination)	M/AC240-3C - / [] [] [] - [] (M6x1 Adapter Stud) (length in feet) (termination)
		[] [] [] M - [] (length in meters) (termination)	[] [] [] M - [] (length in meters) (termination)

Cable Termination Options: E F Z

Backed by our Unconditional Lifetime Warranty

www.ctonline.com

