

AC230 Series

Premium Series Triaxial Accelerometer, Connector / Cable, 100 mV/g

SECTION 1 ACCELEROMETERS



Actual Product Size Shown



Must Use J4A or J4C Connectors
Must Use CB105, CB117, CB119 or CB218 Cables
Product Features

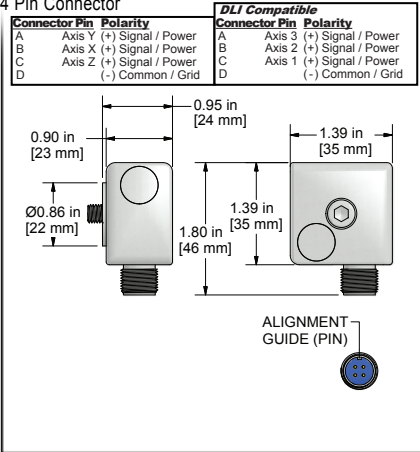
Premium Triaxial Sensor

Collect 3 Axes of Data

- Premium $\pm 5\%$ Sensitivity
- Reduces Data Collection Time
- 1/4-28 or M6x1 Captive Bolt

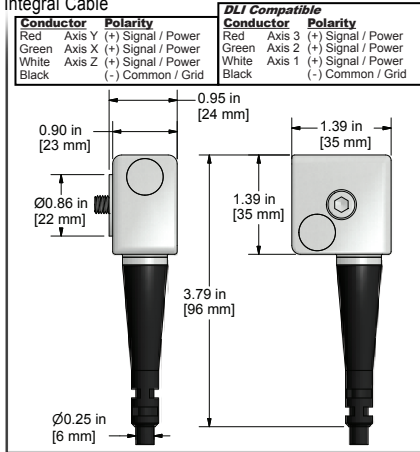
AC230-1D

4 Pin Connector



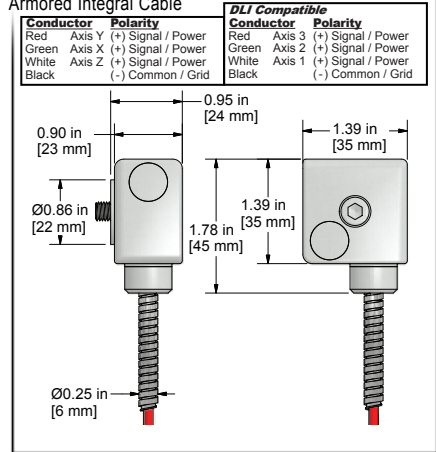
AC230-2D

Integral Cable



AC230-3D

Armored Integral Cable



Specifications	Standard	Metric
Part Number	AC230	M/AC230
Sensitivity ($\pm 5\%$)	100 mV/g	
Frequency Response ($\pm 3\text{dB}$)	36-600,000 CPM	0,6-10000 Hz
Frequency Response ($\pm 10\%$)	60-390,000 CPM	1,0-6500 Hz
Frequency Response ($\pm 5\%$)	480-330,000 CPM	8,0-5500 Hz
Dynamic Range	± 50 g, peak	
Electrical		
Settling Time	<2.5 seconds	
Voltage Source	18-30 VDC	
Constant Current Excitation	2-10 mA	
Spectral Noise @ 10 Hz	27 $\mu\text{g}/\sqrt{\text{Hz}}$	
Spectral Noise @ 100 Hz	6.5 $\mu\text{g}/\sqrt{\text{Hz}}$	
Spectral Noise @ 1000 Hz	2.5 $\mu\text{g}/\sqrt{\text{Hz}}$	
Output Impedance	<100 ohm	
Bias Output Voltage	11-13 VDC	
Case Isolation	$>10^9$ ohm	

Specifications	Standard	Metric
Environmental		
Temperature Range	-65 to 250°F	-54 to 121°C
Electromagnetic Sensitivity	CE	
Sealing	Welded, Hermetic	
Submersible Depth (AC230-2D)	500 ft.	152 m
Physical		
Sensing Element	PZT Ceramic	
Sensing Structure	Shear Mode	
Weight	7.1 oz	200 grams
Case Material	316L Stainless Steel	
Mounting	1/4-28	
Connector (non-integral)	4 Pin	
Mounting Torque	1 to 2 ft. lbs.	1,4 to 2,7 Nm
Mounting Hardware	1/4-28 Captive Bolt	M6x1 Captive Bolt
Calibration Certificate	CA10	

Ordering Information

Standard	AC230-1D (1/4-28 Captive Bolt)	AC230-2D - / [] - [] (1/4-28 Captive Bolt) (length in feet) (termination)	AC230-3D - / [] - [] - [] (1/4-28 Captive Bolt) (armor length in feet) (cable length in feet) (termination)
Metric	M/AC230-1D (M6x1 Captive Bolt)	M/AC230-2D - / [] - [] (M6x1 Captive Bolt) (length in feet) (termination)	M/AC230-3D - / [] - [] - [] (M6x1 Captive Bolt) (armor length in feet) (cable length in feet) (termination)
		[] M - [] (length in meters) (termination)	[] M - [] (armor length in meters) (cable length in meters) (termination)

Cable Termination Options: Z



VIBRATION ANALYSIS HARDWARE

Backed by our Unconditional Lifetime Warranty