

AC224 Series

High Frequency mini-MIL Accelerometer, Side Exit Connector / Cable, 10 mV/g

mini-MIL

Must Use J2X Series Connectors

Product Features

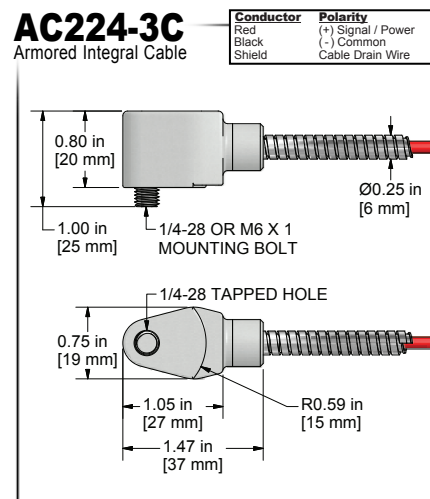
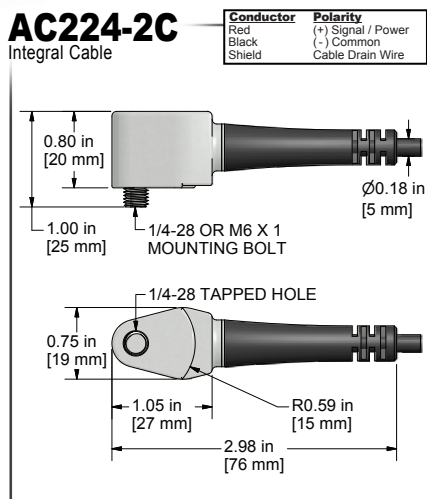
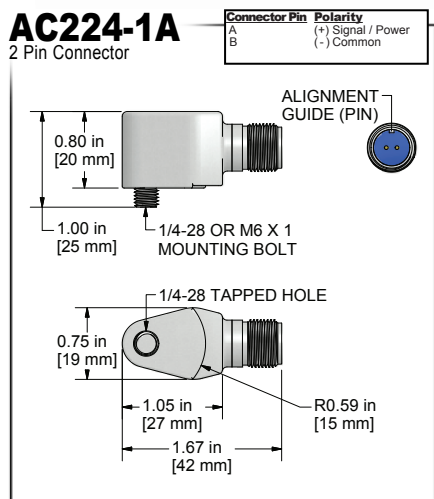
Very High g Side Exit Accelerometer for High Frequency Applications
Helps to Detect Gearbox Defects and Other High Frequency Faults



- 1,5 - 15000 Hz (90-900,000 CPM) Frequency Response
- ±5% Sensitivity
- 38 kHz Resonant Frequency



Actual Product Size Shown



Specifications	Standard	Metric
Part Number	AC224	M/AC224
Sensitivity (±5%)	10 mV/g	
Frequency Response (±3dB)	90-900,000 CPM	1,5-15000 Hz
Frequency Response (±10%)	180-420,000 CPM	3,0-7000 Hz
Frequency Response (±5%)	360-150,000 CPM	6,0-2500 Hz
Dynamic Range	± 500 g, peak	
Electrical		
Settling Time	<2.5 seconds	
Voltage Source	18-30 VDC	
Constant Current Excitation	2-10 mA	
Spectral Noise @ 10 Hz	200 µg/√Hz	
Spectral Noise @ 100 Hz	19 µg/√Hz	
Spectral Noise @ 1000 Hz	5 µg/√Hz	
Output Impedance	<100 ohm	
Bias Output Voltage	7-14 VDC	
Case Isolation	>10 ⁸ ohm	

Specifications	Standard	Metric
Environmental		
Temperature Range	-58 to 250° F	-50 to 121°C
Maximum Shock Protection	5,000 g, peak	
Electromagnetic Sensitivity	CE	
Sealing	Welded, Hermetic	
Submersible Depth (AC224-2D)	500 ft.	152 m
Physical		
Sensing Element	PZT Ceramic	
Sensing Structure	Shear Mode	
Weight	2.1 oz	60 grams
Case Material	316L Stainless Steel	
Mounting	1/4-28	
Connector (non-integral)	2 Pin MIL-C-5015	
Resonant Frequency	2,280,000 CPM	38000 Hz
Mounting Torque	2 to 5 ft. lbs.	2,7 to 6,8 Nm
Mounting Hardware	1/4-28 Captive Bolt	M6x1 Captive Bolt
Calibration Certificate	CA10	

Ordering Information

Standard	AC224-1A	AC224-2C	AC224-3C
	(1/4-28 Bolt)	(1/4-28 Bolt)	(1/4-28 Bolt)
	- / [] - []	- / [] - []	- / [] - []
	(length in feet) (termination)	(length in feet) (termination)	(armor length in feet) (cable length in feet) (termination)
Metric	M/AC224-1A	M/AC224-2C	M/AC224-3C
	(M6x1 Adapter Bolt)	(M6x1 Adapter Bolt)	(M6x1 Adapter Bolt)
	- / [] - []	- / [] - []	- / [] - []
	(length in feet) (termination)	(length in feet) (termination)	(armor length in feet) (cable length in feet) (termination)
	[] M - []	[] M - []	[] M - []
	(length in meters) (termination)	(length in meters) (termination)	(armor length in meters) (cable length in meters) (termination)

Cable Termination Options: **E** **F** **Z**

Backed by our Unconditional Lifetime Warranty

www.ctonline.com

