

AC220 Series

High Frequency mini-MIL Accelerometer, Top Exit Cable, 10 mV/g



Actual Product Size Shown



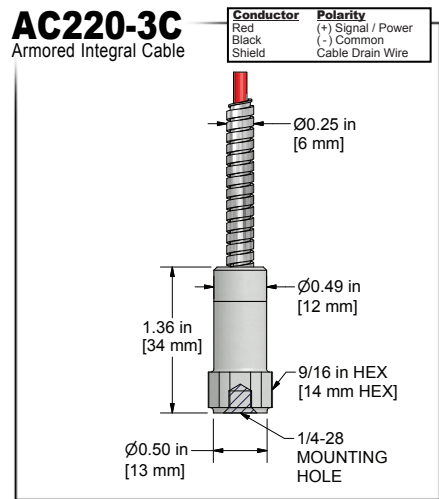
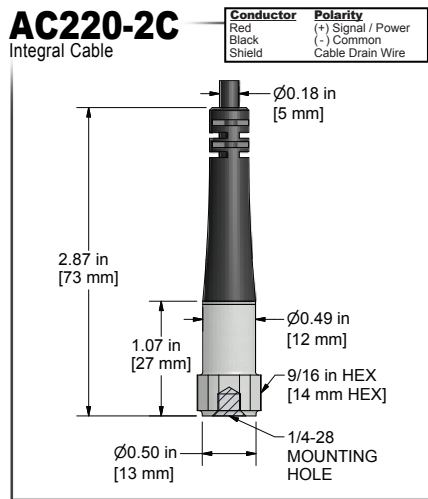
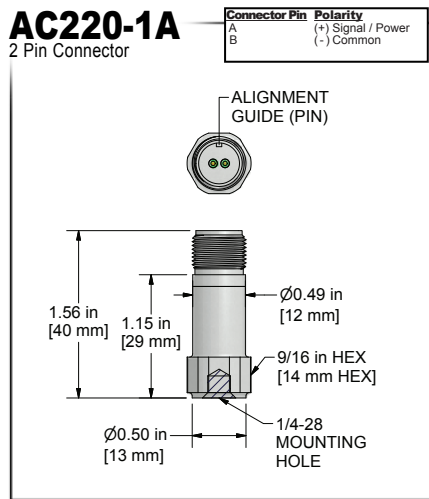
mini-MIL Must Use J2X Series Connectors

Product Features

Very High g Accelerometer for High Frequency Applications

For use with High Frequency Applications

- 1,5 - 25000 Hz (90-1,500,000 CPM) Frequency Response
- ±5% Sensitivity
- 41 kHz Resonant Frequency



Specifications	Standard	Metric
Part Number	AC220	M/AC220
Sensitivity (±5%)	10 mV/g	
Frequency Response (±3dB)	90-1,500,000 CPM	1,5-25000 Hz
Frequency Response (±10%)	120-420,000 CPM	2,0-7000 Hz
Frequency Response (±5%)	180-180,000 CPM	3,0-3000 Hz
Dynamic Range	± 500 g, peak	
Electrical		
Settling Time	<3 Seconds	
Voltage Source	18-30 VDC	
Constant Current Excitation	2-10 mA	
Spectral Noise @ 10 Hz	200 µg/√Hz	
Spectral Noise @ 100 Hz	19 µg/√Hz	
Spectral Noise @ 1000 Hz	5 µg/√Hz	
Output Impedance	<100 ohm	
Bias Output Voltage	7-14 VDC	
Case Isolation	>10 ⁸ ohm	

Specifications	Standard	Metric
Environmental		
Temperature Range	-58 to 250° F	-50 to 121°C
Maximum Shock Protection	5,000 g, peak	
Electromagnetic Sensitivity	CE	
Sealing	Welded, Hermetic	
Submersible Depth (AC220-2C)	500 ft.	152 m
Physical		
Sensing Element	PZT Ceramic	
Sensing Structure	Shear Mode	
Weight	0.7 oz	20 grams
Case Material	316L Stainless Steel	
Mounting	1/4-28	
Connector (non-integral)	2 Pin mini-MIL	
Resonant Frequency	2,100,000 CPM	35000 Hz
Mounting Torque	2 to 5 ft. lbs.	2,7 to 6,8 Nm
Mounting Hardware	1/4-28 Stud	M6x1 Adapter Stud
Calibration Certificate	CA10	

Ordering Information

Standard	AC220-1A (1/4-28 Stud)	AC220-2C (1/4-28 Stud)	- / [] - [] (length in feet) (termination)	AC220-3C (1/4-28 Stud)	- / [] - [] - [] (armor length in feet) (cable length in feet) (termination)
Metric	M/AC220-1A (M6x1 Adapter Stud)	M/AC220-2C (M6x1 Adapter Stud)	- / [] - [] (length in feet) (termination) [] M - [] (length in meters) (termination)	M/AC220-3C (M6x1 Adapter Stud)	- / [] - [] - [] (armor length in feet) (cable length in feet) (termination) [] M - [] M - [] (armor length in meters) (cable length in meters) (termination)

Cable Termination Options: **E** **F** **Z**



VIBRATION ANALYSIS HARDWARE

Backed by our Unconditional Lifetime Warranty



VIBRATION ANALYSIS HARDWARE



3D DATA SHEET

2 Pin Connector

Integral Cable

Armored Integral Cable



ADOBE®
READER® 9.3
RECOMMENDED
(Adobe® Reader® 8 Required)

[CLICK TO DOWNLOAD!](#)

[CLICK HERE FOR HELP](#)

[BACK TO MAIN
DATA SHEET](#)



Backed by our Unconditional Lifetime Warranty

www.ctconline.com

• 800-999-5290