

AC208 Series

High Temperature Accelerometer, Side Exit Connector / Cable, 100 mV/g



Actual Product Size Shown



Product Features

**High Temperature (302°F)
Side Exit Sensor**

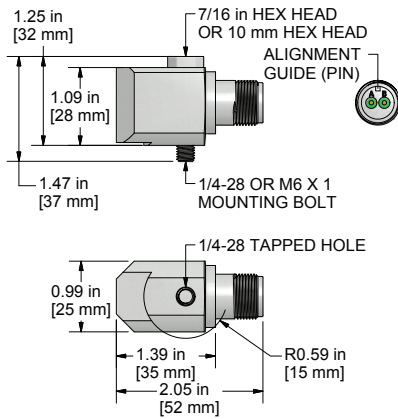
Popular, Proven Side Exit Sensor for Standard High Temperature Applications

- Resistant to Temperatures Up to 302°F, (150°C)
- Great for Extended Use at High Temperatures
- ±80 g Dynamic Range

AC208-1A

2 Pin Connector

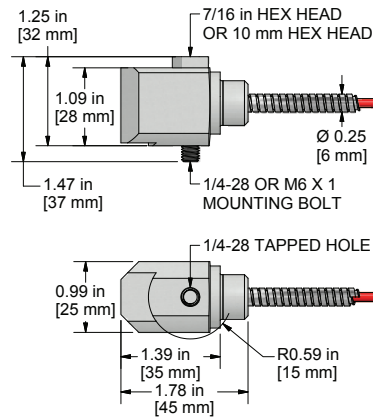
Connector Pin	Polarity
A	(+) Signal / Power
B	(-) Common



AC208-5C

Armored Integral Cable

Conductor	Polarity
Red	(+) Signal / Power
Black	(-) Common
Shield	Cable Drain Wire



Specifications	Standard	Metric
Part Number	AC208	M/AC208
Sensitivity (±10%)		100 mV/g
Frequency Response (±3dB)	60-480,000 CPM	1,0-8000 Hz
Frequency Response (±10%)	120-180,000 CPM	2,0-3000 Hz
Dynamic Range		± 80 g, peak
Electrical		
Settling Time		<2.5 seconds
Voltage Source		18-30 VDC
Constant Current Excitation		2-10 mA
Spectral Noise @ 10 Hz		8 µg/√Hz
Spectral Noise @ 100 Hz		0.82 µg/√Hz
Spectral Noise @ 1000 Hz		0.3 µg/√Hz
Output Impedance		<100 ohm
Bias Output Voltage		10-14 VDC
Case Isolation		>10 ⁸ ohm

Specifications	Standard	Metric
Environmental		
Temperature Range	-58 to 302° F	-50 to 150°C
Maximum Shock Protection		5,000 g, peak
Electromagnetic Sensitivity		CE
Sealing		Welded, Hermetic
Physical		
Sensing Element		PZT Ceramic
Sensing Structure		Shear Mode
Weight	5.1 oz	145 grams
Case Material		316L Stainless Steel
Mounting		1/4-28
Connector (non-integral)		2 Pin MIL-C-5015
Resonant Frequency	1,200,000 CPM	20000 Hz
Mounting Torque	2 to 5 ft. lbs.	2,7 to 6,8 Nm
Mounting Hardware	1/4-28 Captive Bolt	M6x1 Captive Bolt
Calibration Certificate		CA10

Ordering Information

Metric	AC208-1A (1/4-28 Captive Bolt)	AC208-5C - / [] [] [] / [] [] [] - [] (1/4-28 Captive Bolt) (armor length in feet) (cable length in feet) (termination)
	M/AC208-5C - / [] [] [] / [] [] [] - [] (M6x1 Captive Bolt) (armor length in feet) (cable length in feet) (termination)	[] [] [] M / [] [] [] M - [] (armor length in meters) (cable length in meters) (termination)

Cable Termination Options: E F Z



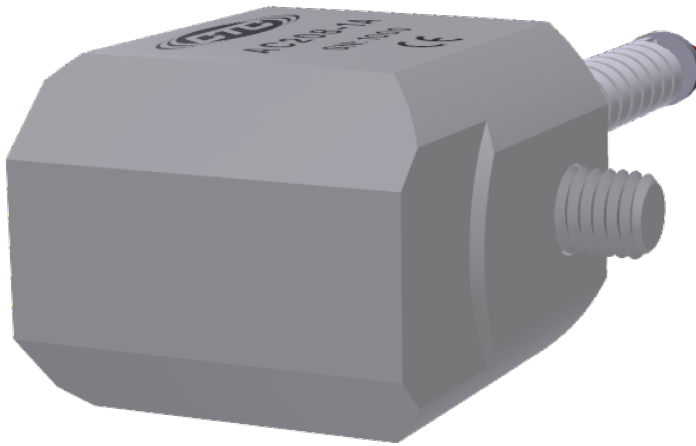
VIBRATION ANALYSIS HARDWARE

Backed by our Unconditional Lifetime Warranty



VIBRATION ANALYSIS HARDWARE

- LEFT CLICK & DRAG TO ROTATE MODEL
- RIGHT CLICK & DRAG TO ZOOM
- HOLD BOTH MOUSE BUTTONS TO PAN



3D DATA SHEET

2 Pin Connector

Armored Integral Cable



ADOBE®
READER® 9.3
RECOMMENDED
(Adobe® Reader® 8 Required)

CLICK TO DOWNLOAD!

CLICK HERE FOR HELP

BACK TO MAIN
DATA SHEET

