

AC198 Series

Compact, Multi-Purpose Accelerometer, Side Exit Connector / Cable, 100 mV/g

SECTION I - ACCELEROMETERS
AC198 Series



Actual Product Size Shown



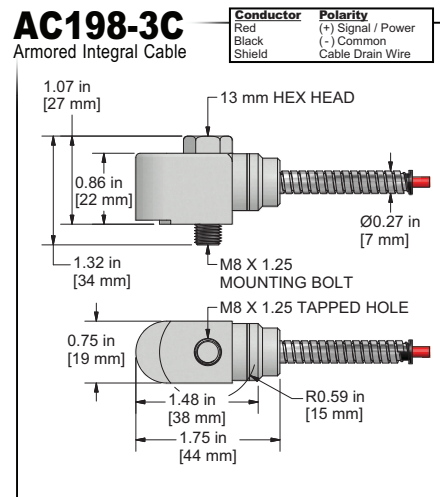
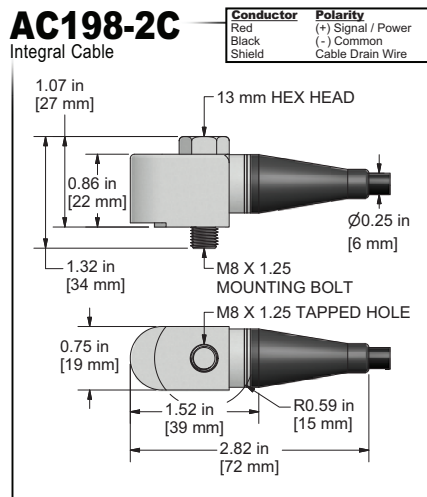
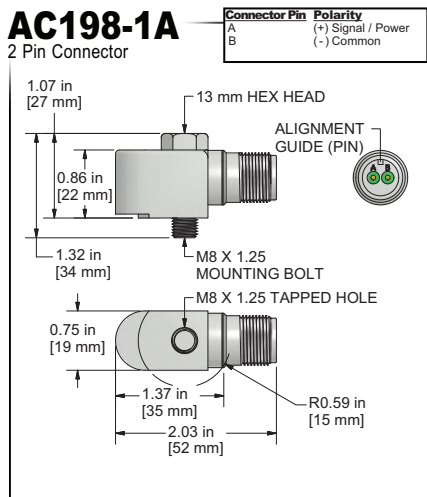
M8 Captive Bolt

Product Features

High Performance in an Affordable, Side Exit Compact Sensor

Very Low Noise

- Superior RF Immunity
- $\pm 80g$ Dynamic Range, $\pm 10\%$ Sensitivity
- Standard 2 Pin MIL Connection



Specifications	Standard	Metric
Part Number	AC198	M/AC198
Sensitivity ($\pm 10\%$)	100 mV/g	
Frequency Response ($\pm 3dB$)	30-480,000 CPM	0.5-8000 Hz
Dynamic Range	± 80 g, peak	
Electrical		
Settling Time	<2 Seconds	
Voltage Source	18-30 VDC	
Constant Current Excitation	2-10 mA	
Spectral Noise @ 10 Hz	8 $\mu g/\sqrt{Hz}$	
Spectral Noise @ 100 Hz	4 $\mu g/\sqrt{Hz}$	
Spectral Noise @ 1000 Hz	2 $\mu g/\sqrt{Hz}$	
Output Impedance	<100 ohm	
Bias Output Voltage	10-14 VDC	
Case Isolation	> 10^8 ohm	

Specifications	Standard	Metric
Environmental		
Temperature Range	-58 to 250°F	-50 to 121°C
Maximum Shock Protection	5000 g Peak	
Electromagnetic Sensitivity	CE	
Sealing	Welded, Hermetic	
Submersible Depth (AC198-2C)	500 ft.	152 m
Physical		
Sensing Element	PZT Ceramic	
Sensing Structure	Shear Mode	
Weight	3.3 oz	93 grams
Case Material	316L Stainless Steel	
Mounting	M8	
Connector (non-integral)	2 Pin MIL-C-5015	
Resonant Frequency	1,380,000 CPM	26000 Hz
Mounting Torque	2 to 5 ft. lbs.	2.7 to 6.8 Nm
Mounting Hardware	M8 Captive Bolt	
Calibration Certificate	CA10	

Ordering Information

Standard	AC198-1A (M8 Captive Bolt)	AC198-2C (M8 Captive Bolt)	- / [] - [] (length in feet) (termination)	AC198-3C (M8 Captive Bolt)	- / [] / [] - [] (armor length in feet) (cable length in feet) (termination)
----------	-------------------------------	-------------------------------	---	-------------------------------	--

Cable Termination Options: E F Z

Backed by our Unconditional Lifetime Warranty

www.ctconline.com





VIBRATION ANALYSIS HARDWARE

- LEFT CLICK & DRAG TO ROTATE MODEL
- RIGHT CLICK & DRAG TO ZOOM
- HOLD BOTH MOUSE BUTTONS TO PAN



3D DATA SHEET

2 Pin Connector

Integral Cable

Armored Integral Cable



ADOBE®
READER® 9.3
RECOMMENDED
(Adobe® Reader® 8 Required)

CLICK TO DOWNLOAD!

CLICK HERE FOR HELP

BACK TO MAIN
DATA SHEET

