

# AC194 Series

Compact, Multi-Purpose Accelerometer, Side Exit Connector / Cable, 100 mV/g

SECTION 1 ACCELEROMETERS



## Product Features

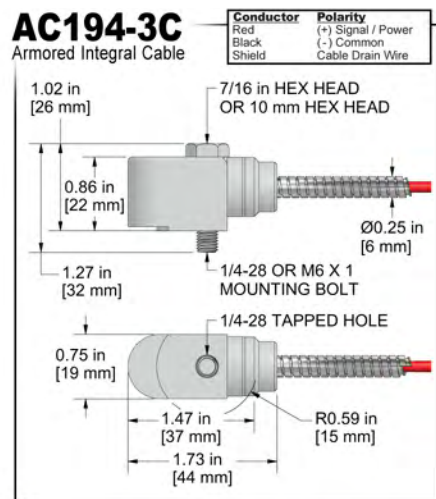
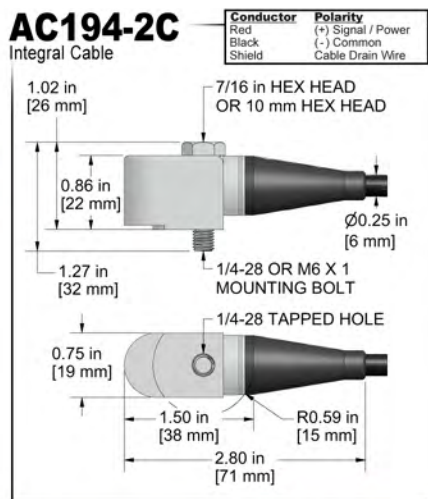
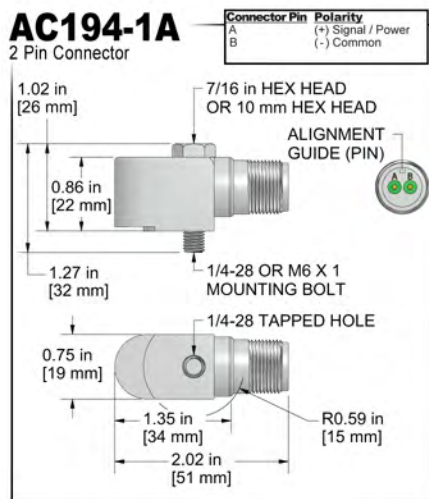
**High Performance in an Affordable, Side Exit Compact Sensor**

**Very Low Noise**

- Superior RF Immunity
- ±80g Dynamic Range, ± 10% Sensitivity
- Standard 2 Pin MIL Connection



Actual Product Size Shown



Specifications	Standard	Metric
Part Number	AC194	M/AC194
Sensitivity (±10%)	100 mV/g	
Frequency Response (±3dB)	30-600,000 CPM	0.5-10000 Hz
Dynamic Range	± 80 g, peak	
<b>Electrical</b>		
Settling Time	<2 Seconds	
Voltage Source	18-30 VDC	
Constant Current Excitation	2-10 mA	
Spectral Noise @ 10 Hz	8 µg/√Hz	
Spectral Noise @ 100 Hz	4 µg/√Hz	
Spectral Noise @ 1000 Hz	2 µg/√Hz	
Output Impedance	<100 ohm	
Bias Output Voltage	10-14 VDC	
Case Isolation	>10 <sup>9</sup> ohm	

Specifications	Standard	Metric
<b>Environmental</b>		
Temperature Range	-58 to 250°F	-50 to 121°C
Maximum Shock Protection	5000 g Peak	
Electromagnetic Sensitivity	CE	
Sealing	Welded, Hermetic	
Submersible Depth (AC194-2C)	500 ft.	152 m
<b>Physical</b>		
Sensing Element	PZT Ceramic	
Sensing Structure	Shear Mode	
Weight	3.3 oz	93 grams
Case Material	316L Stainless Steel	
Mounting	1/4-28	
Connector (non-integral)	2 Pin MIL-C-5015	
Resonant Frequency	1,380,000 CPM	26000 Hz
Mounting Torque	2 to 5 ft. lbs.	2.7 to 6.8 Nm
Mounting Hardware	1/4-28 Captive Bolt	M6x1 Captive Bolt
Calibration Certificate	CA10	

## Ordering Information

Standard	AC194-1A (1/4-28 Captive Bolt)	AC194-2C - / [ ] - [ ] (1/4-28 Captive Bolt) (length in feet) (termination)	AC194-3C - / [ ] - [ ] (1/4-28 Captive Bolt) (length in feet) (termination)
Metric	M/AC194-1A (M6x1 Captive Bolt)	M/AC194-2C - / [ ] - [ ] (M6x1 Captive Bolt) (length in feet) (termination)	M/AC194-3C - / [ ] - [ ] (M6x1 Captive Bolt) (length in feet) (termination)
		[ ] M - [ ] (length in meters) (termination)	[ ] M - [ ] (length in meters) (termination)

Cable Termination Options: **E** **F** **Z**



VIBRATION ANALYSIS HARDWARE

Backed by our Unconditional Lifetime Warranty