

AC192 Series

Compact, Multi-Purpose Accelerometer, Top Exit Connector / Cable, 100 mV/g

SECTION I - ACCELEROMETERS



Actual Product Size Shown

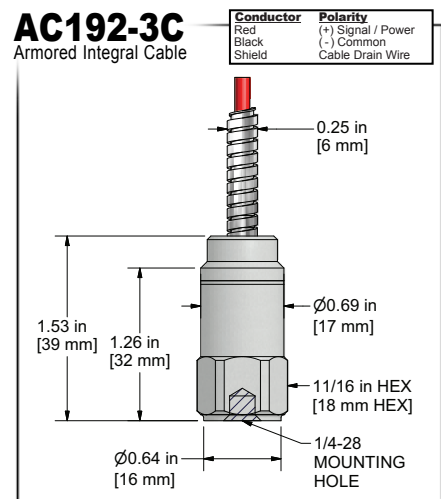
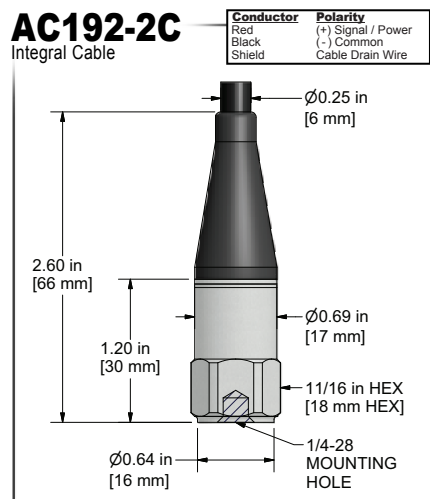
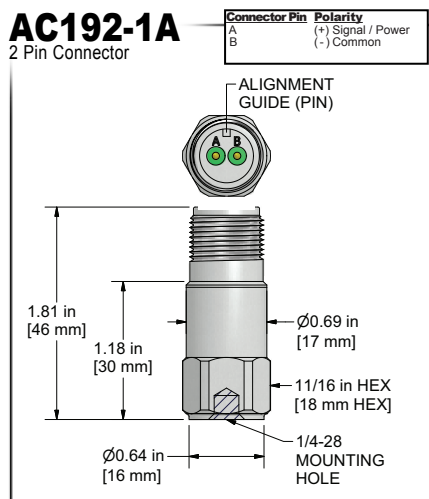


Product Features

High Performance in an Affordable Compact Sensor

Very Low Noise

- Superior RF Immunity
- $\pm 80g$ Dynamic Range, $\pm 10\%$ Sensitivity
- Standard 2 Pin MIL Connection



Specifications	Standard	Metric
Part Number	AC192	M/AC192
Sensitivity ($\pm 10\%$)		100 mV/g
Frequency Response ($\pm 3dB$)	24-780,000 CPM	0,4-13000 Hz
Frequency Response ($\pm 10\%$)	60-540,000 CPM	1,0-9000 Hz
Dynamic Range	± 80 g, peak	
Electrical		
Settling Time	<2 Seconds	
Voltage Source	18-30 VDC	
Constant Current Excitation	2-10 mA	
Spectral Noise @ 10 Hz	8 μ g./Hz	
Spectral Noise @ 100 Hz	4 μ g./Hz	
Spectral Noise @ 1000 Hz	2 μ g./Hz	
Output Impedance	<100 ohm	
Bias Output Voltage	10-14 VDC	
Case Isolation	>10 ⁸ ohm	

Specifications	Standard	Metric
Environmental		
Temperature Range	-58 to 250°F	-50 to 121°C
Electromagnetic Sensitivity	CE	
Sealing	Welded, Hermetic	
Submersible Depth (AC192-2C)	500 ft.	152 m
Physical		
Sensing Element	PZT Ceramic	
Sensing Structure	Shear Mode	
Weight	1.8 oz	51 grams
Case Material	316L Stainless Steel	
Mounting	1/4-28	
Connector (non-integral)	2 Pin MIL-C-5015	
Resonant Frequency	1,560,000 CPM	26000 Hz
Mounting Torque	2 to 5 ft. lbs.	2,7 to 6,8 Nm
Mounting Hardware	1/4-28 Stud	M6x1 Adapter Stud
Calibration Certificate	CA10	

Ordering Information

Standard	AC192-1A (1/4-28 Stud)	AC192-2C (1/4-28 Stud)	- / [] - [] (length in feet) (termination)	AC192-3C (1/4-28 Stud)	- / [] / [] - [] (armor length in feet) (cable length in feet) (termination)
Metric	M/AC192-1A (M6x1 Adapter Stud)	M/AC192-2C (M6x1 Adapter Stud)	- / [] - [] (length in feet) (termination) [] M - [] (length in meters) (termination)	M/AC192-3C (M6x1 Adapter Stud)	- / [] / [] - [] (armor length in feet) (cable length in feet) (termination) [] M / [] M - [] (armor length in meters) (cable length in meters) (termination)

Cable Termination Options: E F Z

Backed by our Unconditional Lifetime Warranty

www.ctonline.com





VIBRATION ANALYSIS HARDWARE

- LEFT CLICK & DRAG TO ROTATE MODEL
- RIGHT CLICK & DRAG TO ZOOM
- HOLD BOTH MOUSE BUTTONS TO PAN



2 Pin Connector

Integral Cable

Armored Integral Cable



ADOBE®
READER® 9.3
RECOMMENDED
(Adobe® Reader® 8 Required)

CLICK TO DOWNLOAD!

CLICK HERE FOR HELP

BACK TO MAIN
DATA SHEET

