

# AC188 Series

High Temperature Accelerometer, M8 Captive Bolt, Side Exit Connector / Cable, 100 mV/g



## Product Features

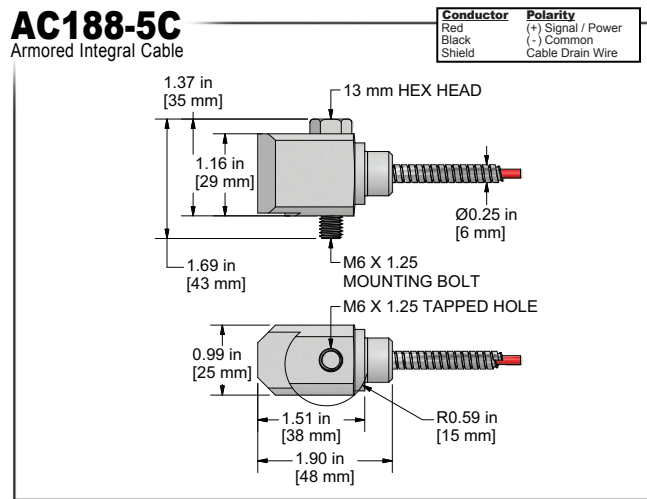
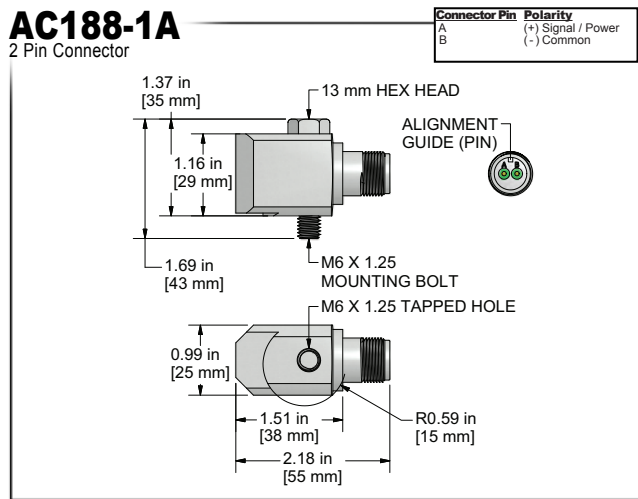
**High Temperature (302°F) Side Exit Sensor, Now with M8 Mounting**  
Popular Proven Side Exit Sensor for Standard High Temperature Applications

- Functional to Temperatures Up to 302°F, (150°C)
- Great for Extended Use at High Temperatures
- Monitors in Temperatures as Low as -58°F (-50°C)



**M8 Captive Bolt**

Actual Product Size Shown



Specifications	Standard	Metric
Part Number	AC188	M/AC188
Sensitivity (±10%)		100 mV/g
Frequency Response (±3dB)	60-480,000 CPM	1,0-8000 Hz
Frequency Response (±10%)	120-300,000 CPM	2,0-5000 Hz
Dynamic Range		± 50 g, peak
<b>Electrical</b>		
Settling Time		<2.5 seconds
Voltage Source		18-30 VDC
Constant Current Excitation		2-10 mA
Spectral Noise @ 10 Hz		14 µg/√Hz
Spectral Noise @ 100 Hz		2 µg/√Hz
Spectral Noise @ 1000 Hz		1.4 µg/√Hz
Output Impedance		<100 ohm
Bias Output Voltage		10-14 VDC
Case Isolation		>10 <sup>9</sup> ohm

Specifications	Standard	Metric
<b>Environmental</b>		
Temperature Range	-58 to 302° F	-50 to 150°C
Maximum Shock Protection		5,000 g, peak
Electromagnetic Sensitivity		CE
Sealing		Welded, Hermetic
<b>Physical</b>		
Sensing Element		PZT Ceramic
Sensing Structure		Shear Mode
Weight	6 oz	170 grams
Case Material		316L Stainless Steel
Mounting		M8
Connector (non-integral)		2 Pin MIL-C-5015
Resonant Frequency	1,200,000 CPM	20000 Hz
Mounting Torque	2 to 5 ft. lbs.	2,7 to 6,8 Nm
Mounting Hardware	M8 Captive Bolt	M8 Captive Bolt
Calibration Certificate		CA10

## Ordering Information

Metric	AC188-1A (M8 Captive Bolt)	AC188-5C - / [ ] [ ] [ ] / [ ] [ ] [ ] - [ ] (M8 Captive Bolt) (armor length in feet) (cable length in feet) (termination)
	M/AC188-5C - / [ ] [ ] [ ] / [ ] [ ] [ ] - [ ] (M8 Captive Bolt) (armor length in feet) (cable length in feet) (termination)	[ ] [ ] [ ] M / [ ] [ ] [ ] M - [ ] (armor length in meters) (cable length in meters) (termination)

Cable Termination Options: E F Z



Backed by our Unconditional Lifetime Warranty