

# AC184 Series

Multi-Purpose Accelerometer, M8 Captive Bolt, Side Exit Connector / Cable, 100 mV/g

AC184 Series



Actual Product Size Shown



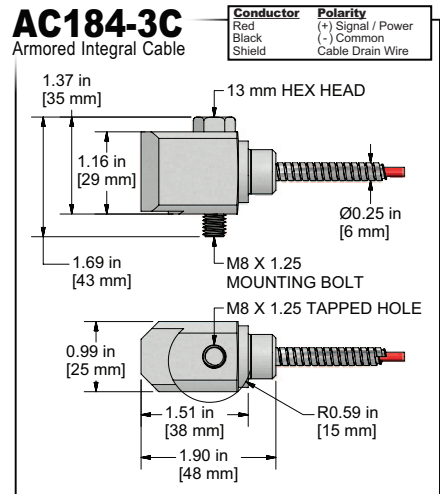
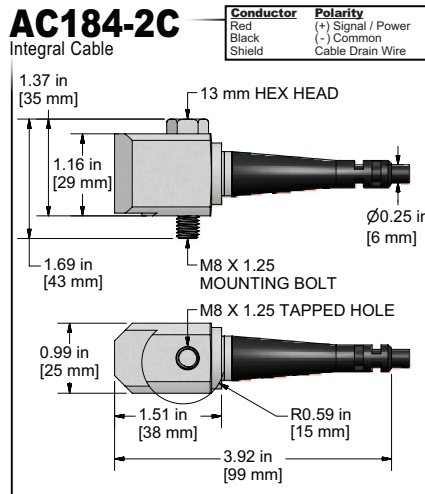
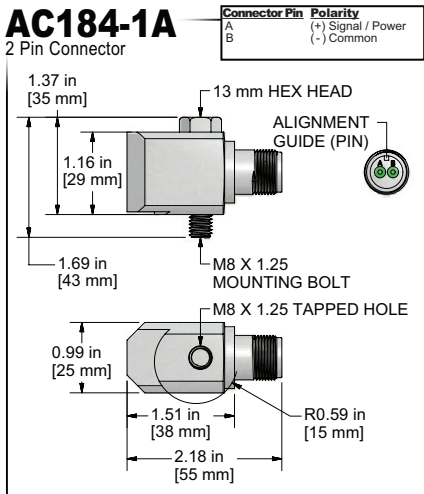
## M8 Captive Bolt

### Product Features

**CTC's Most Popular Side Exit Sensor, Now With M8 Mounting!**

**High Performance in a Low Cost Sensor**

- Standard 2 Pin MIL Connection
- Perfect for M8 Applications
- Affordably Priced



Specifications	Standard	Metric
Part Number	AC184	M/AC184
Sensitivity ( $\pm 10\%$ )		100 mV/g
Frequency Response ( $\pm 3\text{dB}$ )	30-600,000 CPM	0.5-10000 Hz
Frequency Response ( $\pm 10\%$ )	120-300,000 CPM	2.0-5000 Hz
Dynamic Range		$\pm 50$ g, peak
<b>Electrical</b>		
Settling Time		<2.5 seconds
Voltage Source		18-30 VDC
Constant Current Excitation		2-10 mA
Spectral Noise @ 10 Hz		14 $\mu\text{g}/\sqrt{\text{Hz}}$
Spectral Noise @ 100 Hz		2.3 $\mu\text{g}/\sqrt{\text{Hz}}$
Spectral Noise @ 1000 Hz		2 $\mu\text{g}/\sqrt{\text{Hz}}$
Output Impedance		<100 ohm
Bias Output Voltage		10-14 VDC
Case Isolation		>10 <sup>8</sup> ohm

Specifications	Standard	Metric
<b>Environmental</b>		
Temperature Range	-58 to 250° F	-50 to 121°C
Maximum Shock Protection		5,000 g, peak
Electromagnetic Sensitivity		CE
Sealing		Welded, Hermetic
Submersible Depth (AC184-2C)	500 ft.	152 m
<b>Physical</b>		
Sensing Element		PZT Ceramic
Sensing Structure		Shear Mode
Weight	6 oz	170 grams
Case Material		316L Stainless Steel
Mounting		M8
Connector (non-integral)		2 Pin MIL-C-5015
Resonant Frequency	1,200,000 CPM	20000 Hz
Mounting Torque	2 to 5 ft. lbs.	2.7 to 6.8 Nm
Mounting Hardware	M8 Captive Bolt	M8 Captive Bolt
Calibration Certificate		CA10

### Ordering Information

Metric	AC184-1A (M8 Captive Bolt)	AC184-2C - / [ ] [ ] - [ ] (M8 Captive Bolt) (length in feet) (termination)	AC184-3C - / [ ] [ ] - [ ] [ ] - [ ] (M8 Captive Bolt) (armor length in feet) (cable length in feet) (termination)
	AC184-2C - / [ ] [ ] M - [ ] (M8 Captive Bolt) (length in meters) (termination)	AC184-3C - / [ ] [ ] M - [ ] [ ] M - [ ] (M8 Captive Bolt) (armor length in meters) (cable length in meters) (termination)	

**Cable Termination Options: E** **F** **Z**

Backed by our Unconditional Lifetime Warranty

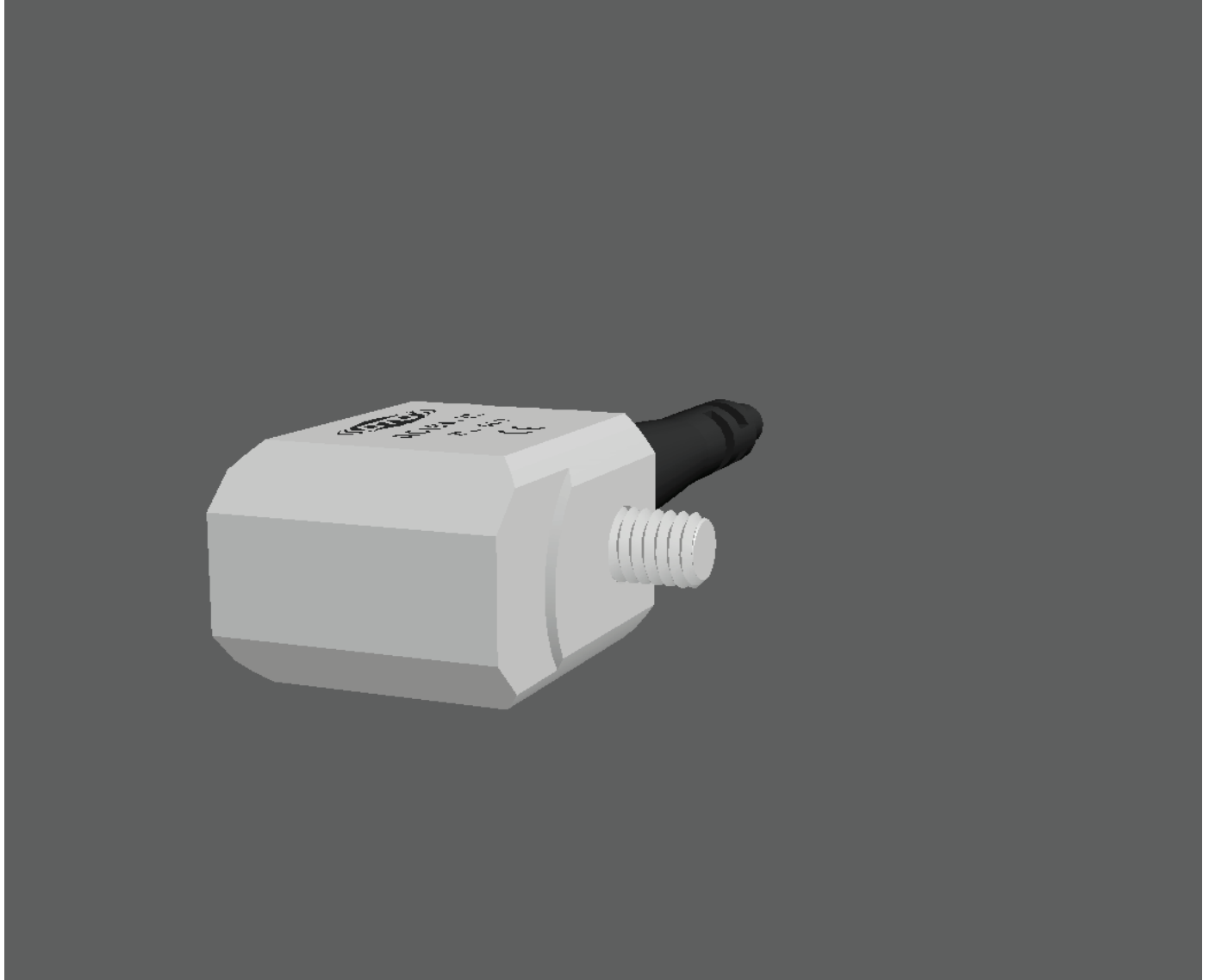
[www.ctconline.com](http://www.ctconline.com)





VIBRATION ANALYSIS HARDWARE

- LEFT CLICK & DRAG TO ROTATE MODEL
- RIGHT CLICK & DRAG TO ZOOM
- HOLD BOTH MOUSE BUTTONS TO PAN



3D DATA SHEET

2 Pin Connector

Integral Cable

Armored Integral Cable



ADOBE® READER® 9.3 RECOMMENDED (Adobe® Reader® 8 Required)

CLICK TO DOWNLOAD!

CLICK HERE FOR HELP

BACK TO MAIN DATA SHEET

