

AC150 Series

Low Cost Accelerometer, Top Exit Connector / Cable, 100 mV/g



Actual Product Size Shown

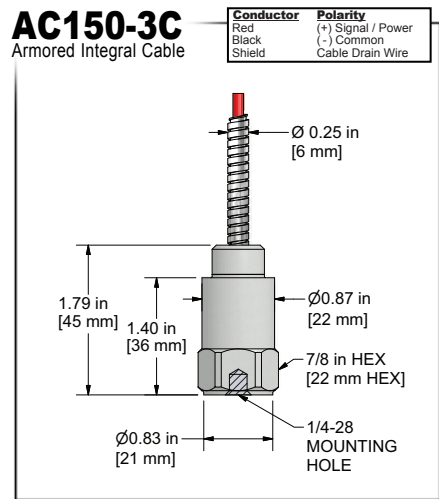
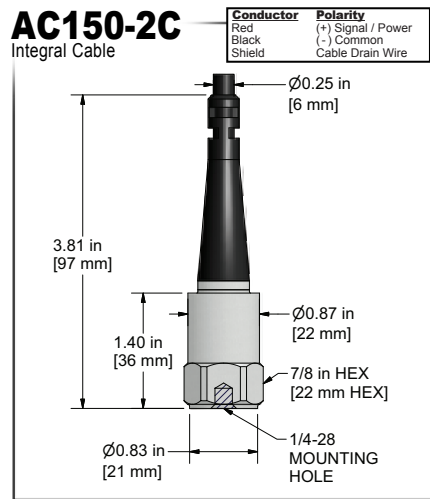
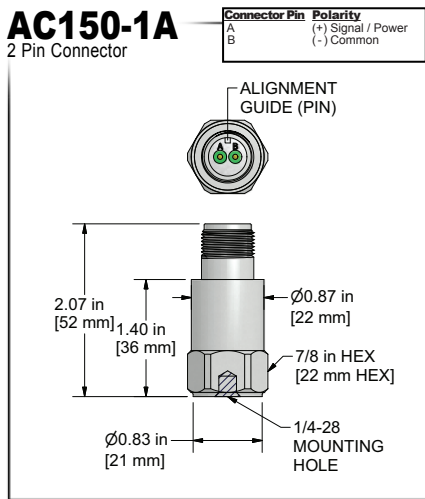


Product Features

Low Cost Accelerometer - Perfect for Permanent Mounting

Excellent Choice for Budget Conscious Data Collection

- ± 50 g, Dynamic Range
- Standard 2 Pin MIL Connection
- 1-10000 Hz (60-600,000 CPM) Frequency Response



Specifications	Standard	Metric
Part Number	AC150	M/AC150
Sensitivity ($\pm 15\%$)	100 mV/g	
Frequency Response (± 3 dB)	60-600,000 CPM	1,0-10000 Hz
Dynamic Range	± 50 g, peak	
Electrical		
Settling Time	<2.5 seconds	
Voltage Source	18-30 VDC	
Constant Current Excitation	2-10 mA	
Spectral Noise @ 10 Hz	14 $\mu\text{g}/\sqrt{\text{Hz}}$	
Spectral Noise @ 100 Hz	2.3 $\mu\text{g}/\sqrt{\text{Hz}}$	
Spectral Noise @ 1000 Hz	2 $\mu\text{g}/\sqrt{\text{Hz}}$	
Output Impedance	<100 ohm	
Bias Output Voltage	10-14 VDC	
Case Isolation	>10 ⁸ ohm	

Specifications	Standard	Metric
Environmental		
Temperature Range	-58 to 250°F	-50 to 121°C
Maximum Shock Protection	5,000 g, peak	
Electromagnetic Sensitivity	CE	
Sealing	Welded, Hermetic	
Submersible Depth (AC150-2C)	500 ft.	152 m
Physical		
Sensing Element	PZT Ceramic	
Sensing Structure	Shear Mode	
Weight	3.2 oz	90 grams
Case Material	316L Stainless Steel	
Mounting	1/4-28	
Connector (non-integral)	2 Pin MIL-C-5015	
Resonant Frequency	1,380,000 CPM	23000 Hz
Mounting Torque	2 to 5 ft. lbs.	2,7 to 6,8 Nm
Mounting Hardware	1/4-28 Stud	M6x1 Adapter Stud
Calibration Certificate	CA10	

Ordering Information

Standard	AC150-1A	AC150-2C	AC150-3C
	(1/4-28 Stud)	(1/4-28 Stud)	(1/4-28 Stud)
		- / [] - []	- / [] / [] - []
		(length in feet) (termination)	(armor length in feet) (cable length in feet) (termination)
Metric	M/AC150-1A	M/AC150-2C	M/AC150-3C
	(M6x1 Adapter Stud)	(M6x1 Adapter Stud)	(M6x1 Adapter Stud)
		- / [] - []	- / [] / [] - []
		(length in feet) (termination)	(armor length in feet) (cable length in feet) (termination)
		[] M - []	[] M / [] M - []
		(length in meters) (termination)	(armor length in meters) (cable length in meters) (termination)

Cable Termination Options: E F Z



VIBRATION ANALYSIS HARDWARE

Backed by our Unconditional Lifetime Warranty



VIBRATION ANALYSIS HARDWARE

- LEFT CLICK & DRAG TO ROTATE MODEL
- RIGHT CLICK & DRAG TO ZOOM
- HOLD BOTH MOUSE BUTTONS TO PAN



3D DATA SHEET

2 Pin Connector

Integral Cable

Armored Integral Cable



ADOBE® READER® 9.3 RECOMMENDED (Adobe® Reader® 8 Required)

CLICK TO DOWNLOAD!

CLICK HERE FOR HELP

BACK TO MAIN DATA SHEET

