

AC144 Series

Multi-Purpose mini-MIL Accelerometer, Side Exit Connector / Cable, 100 mV/g

mini-MIL
Must Use **J2X** Series Connectors

Product Features

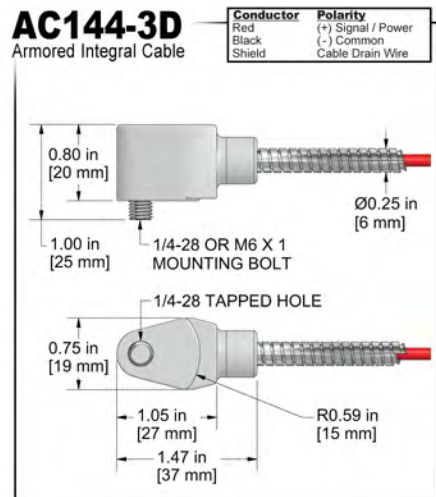
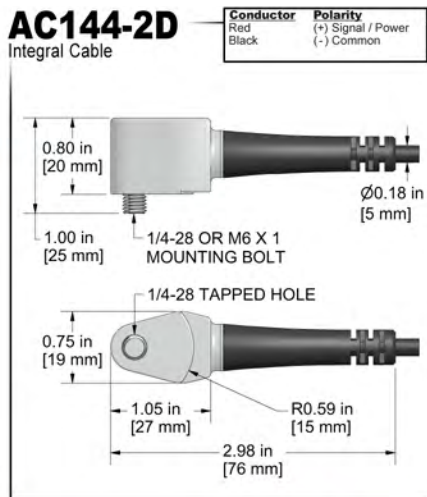
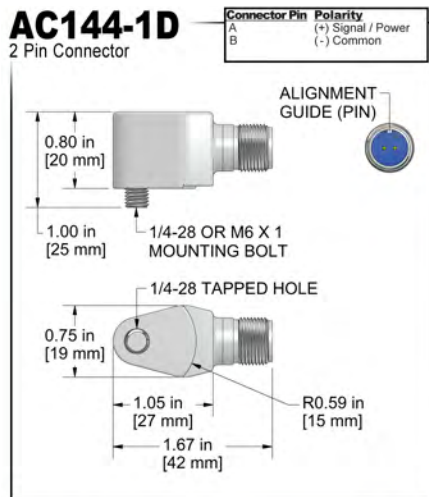
Low-Cost Small Accelerometer, Great for Hard-to-Reach Locations!

Industrial Accelerometer, Perfect for Many Applications



Actual Product Size Shown

- ± 50 g, Dynamic Range
- 100 mV/g Frequency Response
- Mini-MIL Side Connector



Specifications	Standard	Metric
Part Number	AC144	M/AC144
Sensitivity ($\pm 10\%$)		100 mV/g
Frequency Response (± 3 dB)	36-600,000 CPM	0,6-10000 Hz
Dynamic Range		± 50 g, peak
Electrical		
Settling Time		<2.5 seconds
Voltage Source		18-30 VDC
Constant Current Excitation		2-10 mA
Spectral Noise @ 10 Hz		27 $\mu\text{g}/\sqrt{\text{Hz}}$
Spectral Noise @ 100 Hz		6.5 $\mu\text{g}/\sqrt{\text{Hz}}$
Spectral Noise @ 1000 Hz		2.5 $\mu\text{g}/\sqrt{\text{Hz}}$
Output Impedance		<100 ohm
Bias Output Voltage		7-14 VDC
Case Isolation		>10 ⁸ ohm

Specifications	Standard	Metric
Environmental		
Temperature Range	-58 to 250° F	-50 to 121°C
Maximum Shock Protection		5,000 g, peak
Electromagnetic Sensitivity		CE
Sealing		Welded, Hermetic
Submersible Depth (AC144-2D)	500 ft.	152 m
Physical		
Sensing Element		PZT Ceramic
Sensing Structure		Shear Mode
Weight	2.1 oz	60 grams
Case Material		316L Stainless Steel
Mounting		1/4-28
Connector (non-integral)		2 Pin mini-MIL
Resonant Frequency	1,560,000 CPM	26000 Hz
Mounting Torque	2 to 5 ft. lbs.	2,7 to 6,8 Nm
Mounting Hardware	1/4-28 Captive Bolt	M6x1 Captive Bolt
Calibration Certificate		CA10

Ordering Information

Standard	AC144-1D (1/4-28 Bolt)	AC144-2D - / [] [] - [] (1/4-28 Bolt) (length in feet) (termination)	AC144-3D - / [] [] - [] (1/4-28 Bolt) (length in feet) (termination)
Metric	M/AC144-1D (M6x1 Adapter Bolt)	M/AC144-2D - / [] [] - [] (M6x1 Adapter Bolt) (length in feet) (termination)	M/AC144-3D - / [] [] - [] (M6x1 Adapter Bolt) (length in feet) (termination)
		[] [] M - [] (length in meters) (termination)	[] [] M - [] (length in meters) (termination)

Cable Termination Options: **E** **F** **Z**

Backed by our Unconditional Lifetime Warranty

www.ctonline.com

