

# AC136 Series

Low Frequency Accelerometer, Side Exit Connector / Cable, 500 mV/g

SECTION I - ACCELEROMETERS  
AC136 Series



## Product Features

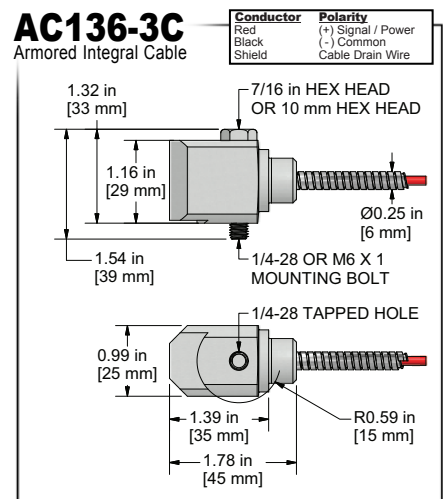
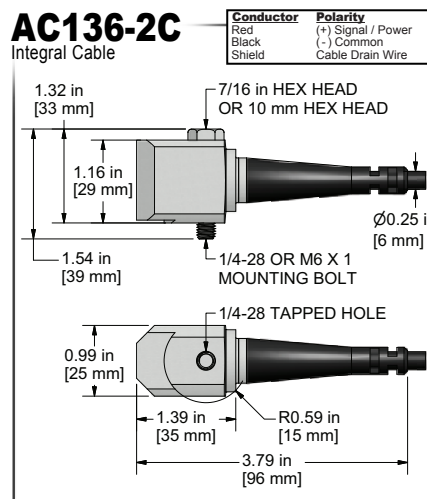
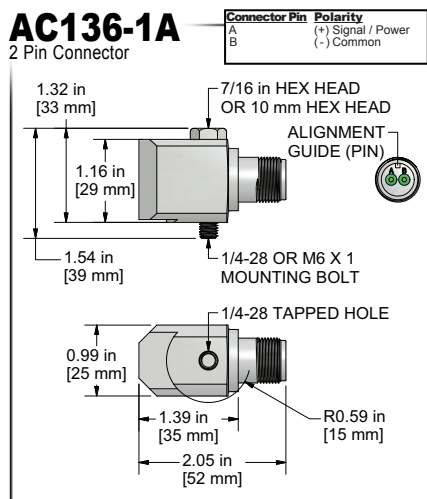
**Low Frequency / Slow Speed Sensor**

**0,2 - 3000 Hz (12-180000 CPM)**

- 500 mV/g,  $\pm 10\%$  Sensitivity
- Standard 2 Pin MIL Connection
- $\pm 10g$  Peak



Actual Product Size Shown



Specifications	Standard	Metric
Part Number	AC136	M/AC136
Sensitivity ( $\pm 10\%$ )	500 mV/g	
Frequency Response ( $\pm 3dB$ )	12-180,000 CPM	0,2-3000 Hz
Frequency Response ( $\pm 10\%$ )	36-90,000 CPM	0,6-1500 Hz
Dynamic Range	$\pm 10 g$ , peak	
<b>Electrical</b>		
Settling Time	5 Seconds	
Voltage Source	18-30 VDC	
Constant Current Excitation	2-10 mA	
Spectral Noise @ 10 Hz	1.7 $\mu g/\sqrt{Hz}$	
Spectral Noise @ 100 Hz	0.2 $\mu g/\sqrt{Hz}$	
Spectral Noise @ 1000 Hz	0.12 $\mu g/\sqrt{Hz}$	
Output Impedance	<200 ohm	
Bias Output Voltage	10-14 VDC	
Case Isolation	>10 <sup>8</sup> ohm	

Specifications	Standard	Metric
<b>Environmental</b>		
Temperature Range	-58 to 250° F	-50 to 121°C
Electromagnetic Sensitivity	CE	
Sealing	Welded, Hermetic	
Submersible Depth (AC136-2C)	500 ft.	152 m
<b>Physical</b>		
Sensing Element	PZT Ceramic	
Sensing Structure	Shear Mode	
Weight	5.5 oz	156 grams
Case Material	316L Stainless Steel	
Mounting	1/4-28	
Connector (non-integral)	2 Pin MIL-C-5015	
Resonant Frequency	840,000 CPM	14000 Hz
Mounting Torque	2 to 5 ft. lbs.	2,7 to 6,8 Nm
Mounting Hardware	1/4-28 Captive Bolt	M6x1 Captive Bolt
Calibration Certificate	CA10	

## Ordering Information

Standard	AC136-1A	AC136-2C	AC136-3C
	(1/4-28 Stud)	(1/4-28 Stud)	(1/4-28 Stud)
		- / [ ] - [ ]	- / [ ] / [ ] - [ ]
		(length in feet) (termination)	(armor length in feet) (cable length in feet) (termination)
Metric	M/AC136-1A	M/AC136-2C	M/AC136-3C
	(M6x1 Adapter Stud)	(M6x1 Adapter Stud)	(M6x1 Adapter Stud)
		- / [ ] - [ ]	- / [ ] / [ ] - [ ]
		(length in feet) (termination)	(armor length in feet) (cable length in feet) (termination)
		[ ] M - [ ]	[ ] M / [ ] M - [ ]
		(length in meters) (termination)	(armor length in meters) (cable length in meters) (termination)

Cable Termination Options: **E** **F** **Z**

Backed by our Unconditional Lifetime Warranty

[www.ctonline.com](http://www.ctonline.com)

