

AC135 Series

Low Frequency Accelerometer, Top Exit Connector / Cable, 500 mV/g



Actual Product Size Shown

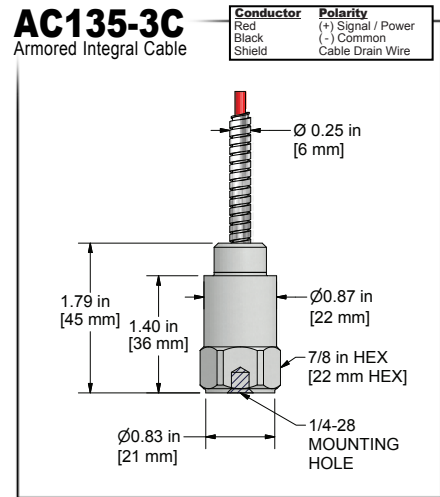
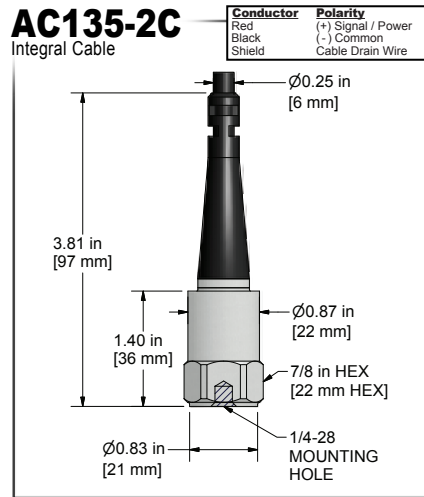
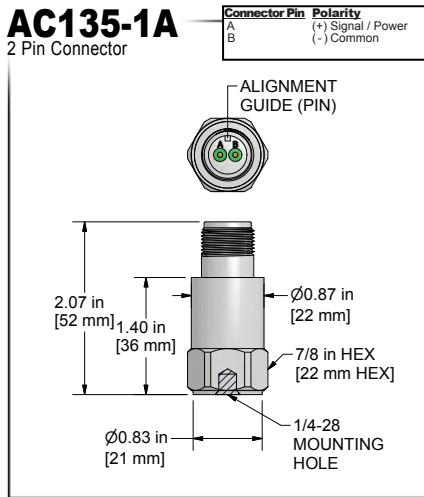


Product Features

Low Frequency / Slow Speed Sensor

0,2 - 3000 Hz (12-180000 CPM)

- 500 mV/g Sensitivity, $\pm 10\%$ Sensitivity
- Standard 2 Pin MIL Connection
- ± 10 g, Dynamic Range



Specifications	Standard	Metric
Part Number	AC135	M/AC135
Sensitivity ($\pm 10\%$)	500 mV/g	
Frequency Response ($\pm 3\text{dB}$)	12-180,000 CPM	0,2-3000 Hz
Frequency Response ($\pm 10\%$)	36-90,000 CPM	0,6-1500 Hz
Dynamic Range	± 10 g, peak	
Electrical		
Settling Time	5 Seconds	
Voltage Source	18-30 VDC	
Constant Current Excitation	2-10 mA	
Spectral Noise @ 10 Hz	1.7 $\mu\text{g}/\sqrt{\text{Hz}}$	
Spectral Noise @ 100 Hz	0.2 $\mu\text{g}/\sqrt{\text{Hz}}$	
Spectral Noise @ 1000 Hz	0.12 $\mu\text{g}/\sqrt{\text{Hz}}$	
Output Impedance	<100 ohm	
Bias Output Voltage	10-14 VDC	
Case Isolation	>10 ⁸ ohm	

Specifications	Standard	Metric
Environmental		
Temperature Range	-58 to 250° F	-50 to 121 °C
Electromagnetic Sensitivity	CE	
Sealing	Welded, Hermetic	
Submersible Depth (AC135-2C)	500 ft.	152 m
Physical		
Sensing Element	PZT Ceramic	
Sensing Structure	Shear Mode	
Weight	3.4 oz	95 grams
Case Material	316L Stainless Steel	
Mounting	1/4-28	
Connector (non-integral)	2 Pin MIL-C-5015	
Resonant Frequency	960,000 CPM	16000 Hz
Mounting Torque	2 to 5 ft. lbs.	2,7 to 6,8 Nm
Mounting Hardware	1/4-28 Stud	M6x1 Adapter Stud
Calibration Certificate	CA10	

Ordering Information

Standard	AC135-1A (1/4-28 Stud)	AC135-2C - / [] [] [] - [] (1/4-28 Stud) (length in feet) (termination)	AC135-3C - / [] [] [] / [] [] [] - [] (1/4-28 Stud) (armor length in feet) (cable length in feet) (termination)
Metric	M/AC135-1A (M6x1 Adapter Stud)	M/AC135-2C - / [] [] [] - [] (M6x1 Adapter Stud) (length in feet) (termination) [] [] [] M - [] (length in meters) (termination)	M/AC135-3C - / [] [] [] / [] [] [] - [] (M6x1 Adapter Stud) (armor length in feet) (cable length in feet) (termination) [] [] [] M / [] [] [] M - [] (armor length in meters) (cable length in meters) (termination)

Cable Termination Options: E F Z



VIBRATION ANALYSIS HARDWARE

Backed by our Unconditional Lifetime Warranty



VIBRATION ANALYSIS HARDWARE

- LEFT CLICK & DRAG TO ROTATE MODEL
- RIGHT CLICK & DRAG TO ZOOM
- HOLD BOTH MOUSE BUTTONS TO PAN



2 Pin Connector

Integral Cable

Armored Integral Cable



ADOBE®
READER® 9.3
RECOMMENDED
(Adobe® Reader® 8 Required)

CLICK TO DOWNLOAD!

CLICK HERE FOR HELP

BACK TO MAIN
DATA SHEET

