

AC131 Series

High g Accelerometer, Top Exit Connector / Cable 10 mV/g

SECTION I - ACCELEROMETERS

AC131 Series



Actual Product Size Shown

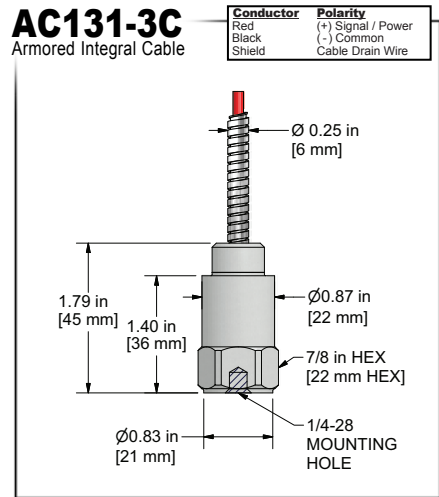
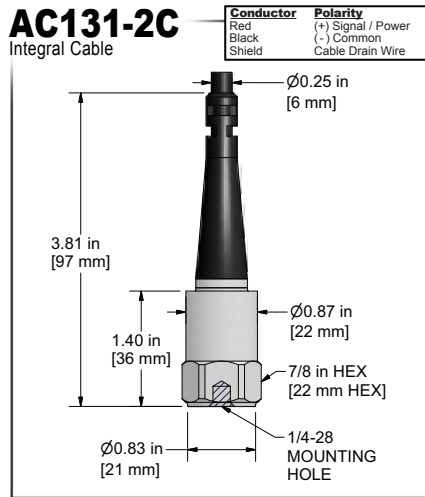
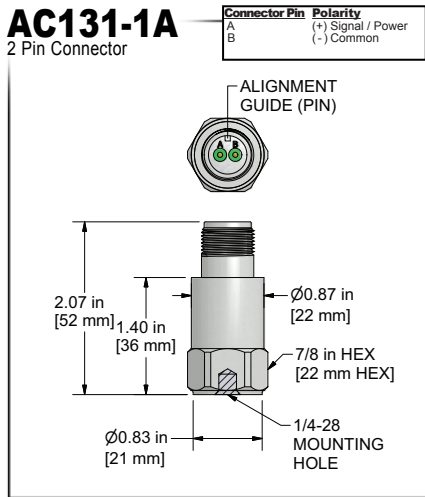


Product Features

Very High g Accelerometer for Higher g Applications

Can be used for Gearbox Applications

- 1 - 15000 Hz (60-900,000 CPM) Frequency Response when Stud Mounted
- 10 mV/g Sensitivity
- ± 500 g Dynamic Range



Specifications	Standard	Metric
Part Number	AC131	M/AC131
Sensitivity (±10%)	10 mV/g	
Frequency Response (±3dB)	60-900,000 CPM	1-15000 Hz
Frequency Response (±10%)	120-360,000 CPM	2-6000 Hz
Dynamic Range	± 500 g, peak	
Electrical		
Settling Time	<2 Seconds	
Voltage Source	18-30 VDC	
Constant Current Excitation	2-10 mA	
Spectral Noise @ 10 Hz	300 µg/√Hz	
Spectral Noise @ 100 Hz	30 µg/√Hz	
Spectral Noise @ 1000 Hz	6 µg/√Hz	
Output Impedance	<100 ohm	
Bias Output Voltage	10-14 VDC	
Case Isolation	>10 ⁸ ohm	

Specifications	Standard	Metric
Environmental		
Temperature Range	-58 to 250°F	-50 to 121°C
Maximum Shock Protection	5,000 g, peak	
Electromagnetic Sensitivity	CE	
Sealing	Welded, Hermetic	
Submersible Depth (AC131-2C)	500 ft.	152 m
Physical		
Sensing Element	PZT Ceramic	
Sensing Structure	Shear Mode	
Weight	3.2 oz.	90 grams
Case Material	316L Stainless Steel	
Mounting	1/4-28	
Connector (non-integral)	2 Pin MIL-C-5015	
Resonant Frequency	1,380,000 CPM	23000 Hz
Mounting Torque	2 to 5 ft. lbs.	2,7 to 6,8 Nm
Mounting Hardware	1/4-28 Stud	M6x1 Adapter Stud
Calibration Certificate	CA10	

Ordering Information

Standard	AC131-1A (1/4-28 Stud)	AC131-2C (1/4-28 Stud)	- / [] - [] (length in feet) (termination)	AC131-3C (1/4-28 Stud)	- / [] / [] - [] (armor length in feet) (cable length in feet) (termination)
Metric	M/AC131-1A (M6x1 Adapter Stud)	M/AC131-2C (M6x1 Adapter Stud)	- / [] - [] (length in feet) (termination) [] M - [] (length in meters) (termination)	M/AC131-3C (M6x1 Adapter Stud)	- / [] / [] - [] (armor length in feet) (cable length in feet) (termination) [] M / [] M - [] (armor length in meters) (cable length in meters) (termination)

Cable Termination Options: E F Z

Backed by our Unconditional Lifetime Warranty

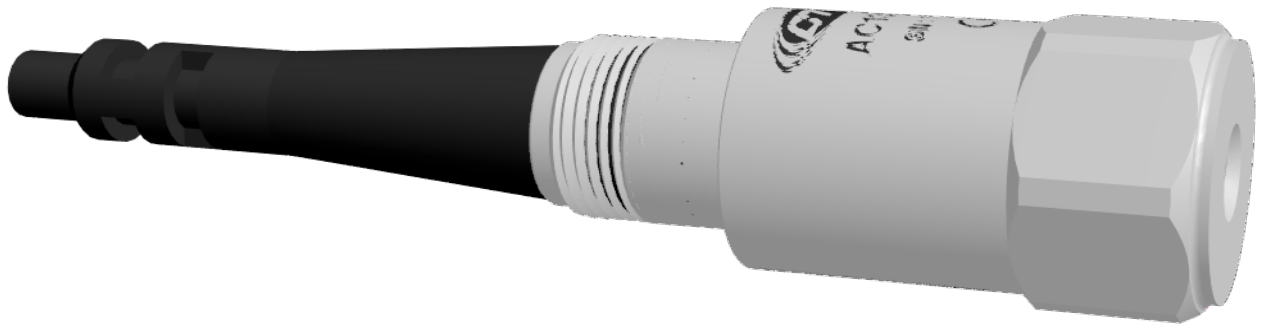
www.ctconline.com





VIBRATION ANALYSIS HARDWARE

- LEFT CLICK & DRAG TO ROTATE MODEL
- RIGHT CLICK & DRAG TO ZOOM
- HOLD BOTH MOUSE BUTTONS TO PAN



2 Pin Connector

Integral Cable

Armored Integral Cable



ADOBE®
READER® 9.3
RECOMMENDED
(Adobe® Reader® 8 Required)

CLICK TO DOWNLOAD!

CLICK HERE FOR HELP

BACK TO MAIN
DATA SHEET

