

AC118 Series

Multi-Purpose Accelerometer, Side Exit Connector / Cable, 50 mV/g



Actual Product Size Shown

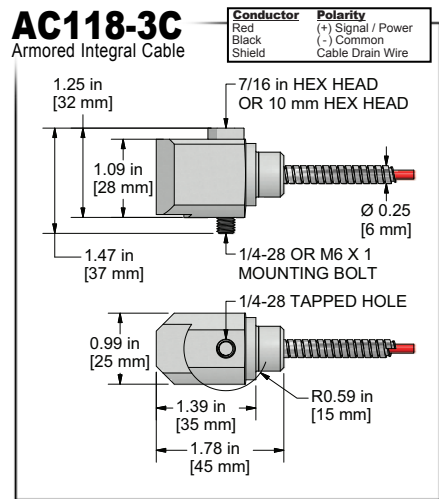
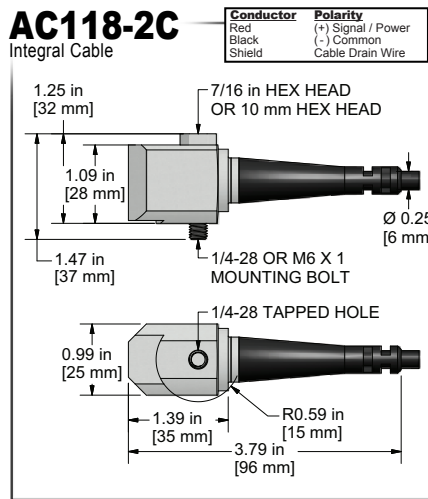
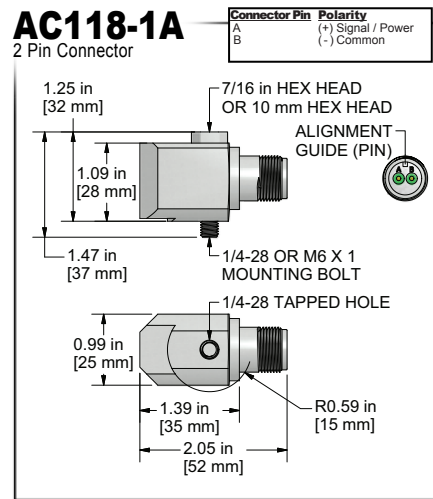


Product Features

50 mV/g General Purpose Side Exit Sensor

Excellent for Higher g Applications

- ± 100 g, Dynamic Range
- 50 mV/g, $\pm 10\%$ Sensitivity
- 1,0-10000 Hz (60-600,000 CPM)



Specifications	Standard	Metric
Part Number	AC118	M/AC118
Sensitivity ($\pm 10\%$)	50 mV/g	
Frequency Response (± 3 dB)	60-600,000 CPM	1,0-10000 Hz
Frequency Response ($\pm 10\%$)	240-360,000 CPM	4,0-6000 Hz
Dynamic Range	± 100 g, peak	
Electrical		
Settling Time	<2 Seconds	
Voltage Source	18-30 VDC	
Constant Current Excitation	2-10 mA	
Spectral Noise @ 10 Hz	8 μ g/ \sqrt Hz	
Spectral Noise @ 100 Hz	2.5 μ g/ \sqrt Hz	
Spectral Noise @ 1000 Hz	1.7 μ g/ \sqrt Hz	
Output Impedance	<100 ohm	
Bias Output Voltage	10-14 VDC	
Case Isolation	>10 ⁸ ohm	

Specifications	Standard	Metric
Environmental		
Temperature Range	-58 to 250° F	-50 to 121° C
Maximum Shock Protection	5,000 g, peak	
Electromagnetic Sensitivity	CE	
Sealing	Welded, Hermetic	
Submersible Depth (AC118-2C)	500 ft.	152 m
Physical		
Sensing Element	PZT Ceramic	
Sensing Structure	Shear Mode	
Weight	5.1 oz	145 grams
Case Material	316L Stainless Steel	
Mounting	1/4-28	
Connector (non-integral)	2 Pin MIL-C-5015	
Resonant Frequency	1,260,000 CPM	21000 Hz
Mounting Torque	2 to 5 ft. lbs.	2,7 to 6,8 Nm
Mounting Hardware	1/4-28 Captive Bolt	M6x1 Captive Bolt
Calibration Certificate	CA10	

Ordering Information

Standard	AC118-1A	AC118-2C	AC118-3C
	(1/4-28 Stud)	(1/4-28 Stud)	(1/4-28 Stud)
	- / [] - []	- / [] - []	- / [] / [] - []
	(length in feet) (termination)	(length in feet) (termination)	(armor length in feet) (cable length in feet) (termination)
Metric	M/AC118-1A	M/AC118-2C	M/AC118-3C
	(M6x1 Adapter Stud)	(M6x1 Adapter Stud)	(M6x1 Adapter Stud)
	- / [] - []	- / [] - []	- / [] / [] - []
	(length in feet) (termination)	(length in feet) (termination)	(armor length in feet) (cable length in feet) (termination)
	[] M - []	[] M - []	[] M / [] M - []
	(length in meters) (termination)	(length in meters) (termination)	(armor length in meters) (cable length in meters) (termination)

Cable Termination Options: E F Z



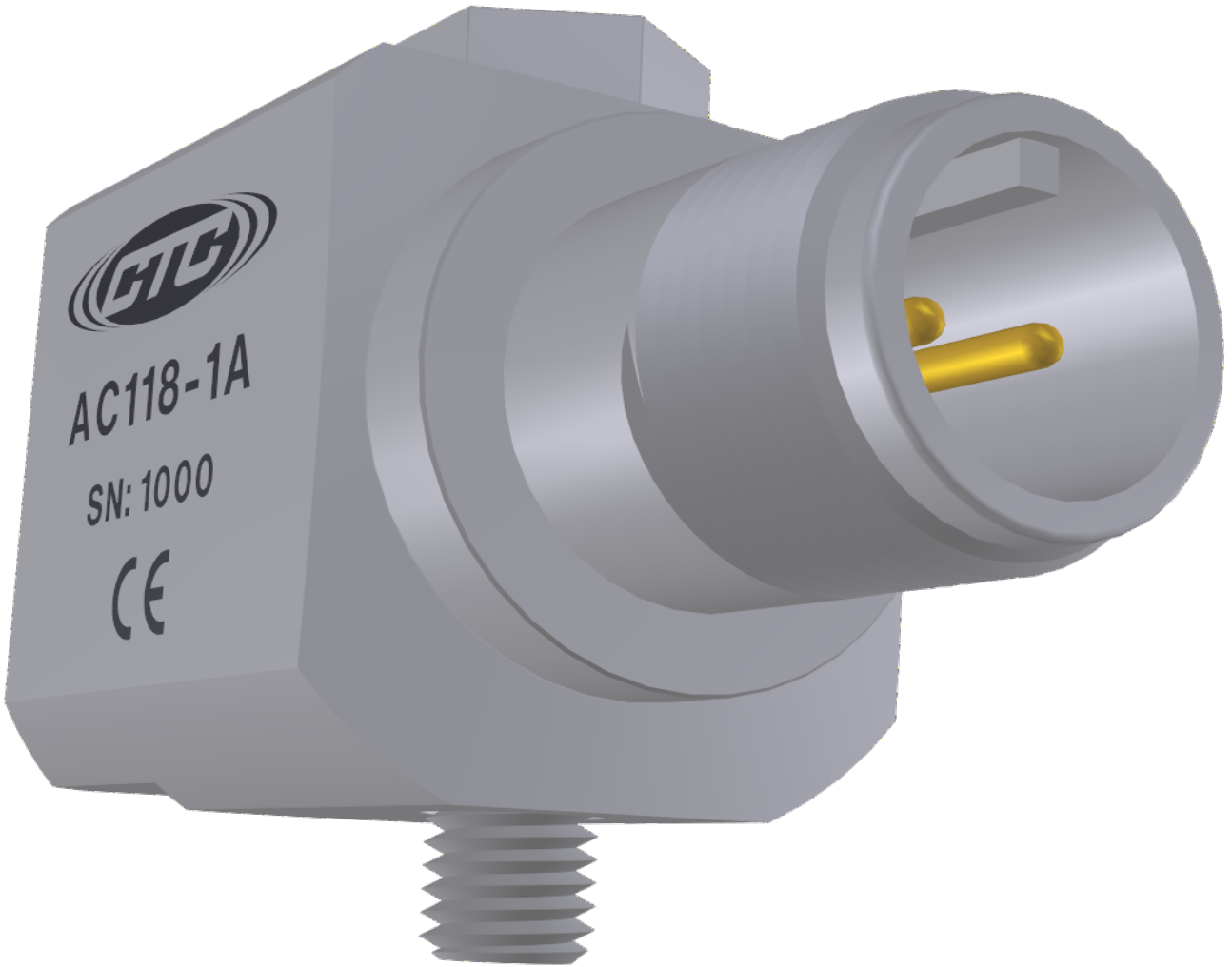
VIBRATION ANALYSIS HARDWARE

Backed by our Unconditional Lifetime Warranty



VIBRATION ANALYSIS HARDWARE

- LEFT CLICK & DRAG TO ROTATE MODEL
- RIGHT CLICK & DRAG TO ZOOM
- HOLD BOTH MOUSE BUTTONS TO PAN



2 Pin Connector

Integral Cable

Armored Integral Cable



ADOBE®
READER® 9.3
RECOMMENDED
(Adobe® Reader® 8 Required)

[CLICK TO DOWNLOAD!](#)

[CLICK HERE FOR HELP](#)

[BACK TO MAIN
DATA SHEET](#)



Backed by our Unconditional Lifetime Warranty

www.ctonline.com

• 800-999-5290