

AC117 Series

Multi-Purpose Accelerometer, Top Exit Connector / Cable, 50 mV/g

SECTION I - ACCELEROMETERS

AC117 Series



Actual Product Size Shown

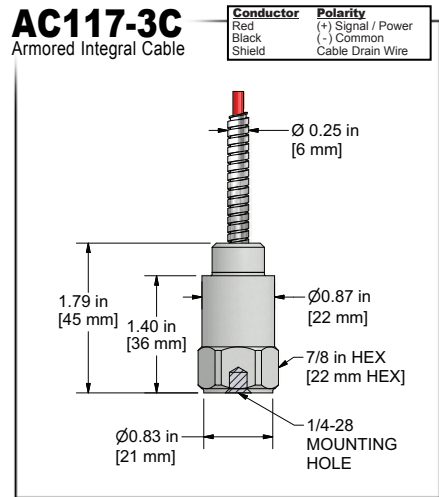
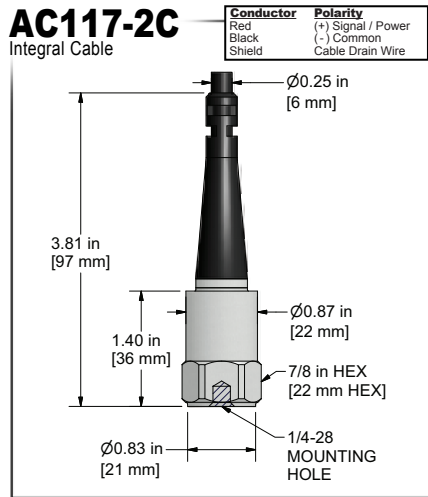
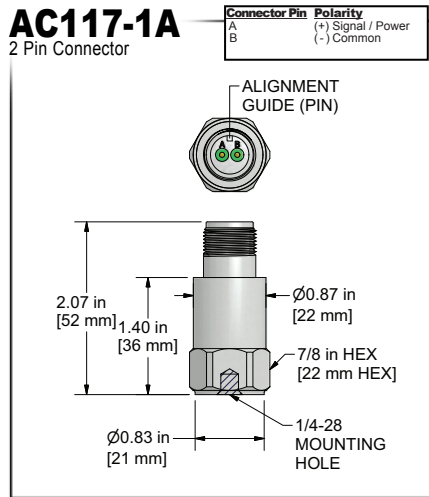


Product Features

50 mV/g General Purpose Sensor

Excellent for Higher g Applications

- ± 100 g, Dynamic Range
- 50 mV/g, $\pm 10\%$ Sensitivity
- 1,0-12500 Hz (60-750,000 CPM)



Specifications	Standard	Metric
Part Number	AC117	M/AC117
Sensitivity ($\pm 10\%$)	50 mV/g	
Frequency Response ($\pm 3\text{dB}$)	60-750,000 CPM	1,0-12500 Hz
Frequency Response ($\pm 10\%$)	240-540,000 CPM	4,0-9000 Hz
Dynamic Range	± 100 g, peak	
Electrical		
Settling Time	<2 Seconds	
Voltage Source	18-30 VDC	
Constant Current Excitation	2-10 mA	
Spectral Noise @ 10 Hz	8 $\mu\text{g}/\sqrt{\text{Hz}}$	
Spectral Noise @ 100 Hz	2.5 $\mu\text{g}/\sqrt{\text{Hz}}$	
Spectral Noise @ 1000 Hz	1.7 $\mu\text{g}/\sqrt{\text{Hz}}$	
Output Impedance	<100 ohm	
Bias Output Voltage	10-14 VDC	
Case Isolation	>10 ⁸ ohm	

Specifications	Standard	Metric
Environmental		
Temperature Range	-58 to 250° F	-50 to 121°C
Maximum Shock Protection	5,000 g, peak	
Electromagnetic Sensitivity	CE	
Sealing	Welded, Hermetic	
Submersible Depth (AC117-2C)	500 ft.	152 m
Physical		
Sensing Element	PZT Ceramic	
Sensing Structure	Shear Mode	
Weight	3.2 oz	90 grams
Case Material	316L Stainless Steel	
Mounting	1/4-28	
Connector (non-integral)	2 Pin MIL-C-5015	
Resonant Frequency	1,380,000 CPM	23000 Hz
Mounting Torque	2 to 5 ft. lbs.	2,7 to 6,8 Nm
Mounting Hardware	1/4-28 Stud	M6x1 Adapter Stud
Calibration Certificate	CA10	

Ordering Information

Standard	AC117-1A (1/4-28 Stud)	AC117-2C (1/4-28 Stud)	- / [] - [] (length in feet) (termination)	AC117-3C (1/4-28 Stud)	- / [] / [] - [] (armor length in feet) (cable length in feet) (termination)
Metric	M/AC117-1A (M6x1 Adapter Stud)	M/AC117-2C (M6x1 Adapter Stud)	- / [] - [] (length in feet) (termination) [] M - [] (length in meters) (termination)	M/AC117-3C (M6x1 Adapter Stud)	- / [] / [] - [] (armor length in feet) (cable length in feet) (termination) [] M / [] M - [] (armor length in meters) (cable length in meters) (termination)

Cable Termination Options: E F Z

Backed by our Unconditional Lifetime Warranty

www.ctonline.com





VIBRATION ANALYSIS HARDWARE

- LEFT CLICK & DRAG TO ROTATE MODEL
- RIGHT CLICK & DRAG TO ZOOM
- HOLD BOTH MOUSE BUTTONS TO PAN



2 Pin Connector

Integral Cable

Armored Integral Cable



ADOBE®
READER® 9.3
RECOMMENDED
(Adobe® Reader® 8 Required)

[CLICK TO DOWNLOAD!](#)

[CLICK HERE FOR HELP](#)

[BACK TO MAIN
DATA SHEET](#)

